

**MagicAndy**

**MagicAndy**

**Andy Tian**

*General Manager*

**Qingdao Magic Andy Hardware Co.,Ltd**

Add: Room 1601, Building 2 , No.63 Haier road, Qingdao, China  
Tel: +86 0532-80999628                      Mobile: +86 13708996523  
E-mail: sales@cnmagicandy.com    manager@cnmagicandy.com  
Http://www.cnmagicandy.com

# Qingdao Magic Andy Hardware Co.,Ltd





# CONTENTS

---

03 Padlocks

12 Keys

13 Combination Padlock

16 Drawer locks

18 Glass door locks

19 Cam locks

21 Aluminum handle

23 Handle locks

24 Door locks

35 Cylindrical door locks

43 Tubular knob door locks

47 Auxiliary lock

49 Tubular lever door locks



51 Cylinder

53 Cylinder handle

54 Lock case

81 Mortise locksets

82 Packing

83 Bracket

84 Pulls

87 Drawer Slide

88 Hardware

89 Hinges

92 Bolts

95 Selling network





## GD261-267

**BRASS BODY, HEAVY DUTY**  
20MM/25MM/30MM/40MM/50MM  
60MM/75MM



## GD261A-267A

**BRASS BODY  
MIDDLE HEAVY DUTY**  
20MM/25MM/30MM/40MM/50MM  
60MM/75MM



## GD261B-267B

**BRASS BODY, IRON KEY  
MIDDLE DUTY**  
20MM/25MM/30MM/40MM/50MM  
60MM/75MM



## GDHL

**BRASS BODY, LIGHT DUTY  
(LONG SHACKLE AVAILABLE)**  
20MM/25MM/30MM/40MM  
50MM/60MM



## GDL262-265

**BRASS BODY, SPRING**  
25MM/32MM/38MM/50MM



## GDEN

**BRASS BODY, HEAVY DUTY**  
30MM/40MM/50MM/60MM



## GD201-207

**CASE BRASS BODY SPRING**  
25MM/30MM/40MM/50MM  
60MM/75MM



## GD150

**BRASS BODY, SPRING,  
(LONG SHACKLE AVAILABLE)**  
20MM/25MM/30MM/40MM  
50MM/60MM



## GD140

**BRASS BODY, SPRING**  
25MM/30MM/40MM/50MM  
60MM/75MM



**GDGGR**

**BRASS BODY, SPRING**  
30MM/35MM/40MM/50MM/60MM



**GDBL**

**BRASS BODY, SPRING**  
20MM/30MM/40MM/50MM/60MM  
70MM/80MM



**GDKQ**

**BRASS BODY**  
45MM/55MM/65MM/75MM



**GDBR**

**BRASS BODY, STEEL BALL  
(LONG SHACKLE AVAILABLE)**  
30MM/35MM/40MM/50MM/60MM  
70MM/80MM/90MM



**GDBT**

**BRASS BODY, TWO STEEL BALLS  
(LONG SHACKLE AVAILABLE)**  
30MM/40MM/50MM/60MM/70MM



**GDBHC**

**BRASS BODY, STEEL BALL  
(LONG SHACKLE AVAILABLE)**  
40MM/50MM/60MM/70MM



**GDBR-R**

**BRASS BODY, HEAVY DUTY**  
20MM/25MM/30MM/40MM/50MM  
60MM/75MM



**GDBS**

**BRASS BODY  
(LONG SHACKLE AVAILABLE)**  
30MM/35MM/40MM/45MM/50MM  
55MM/60MM/70MM/80MM/90MM



**GDSJ**

**BRASS BODY, SPRING**  
40MM/45MM/50MM/55MM/60MM  
70MM/80MM/90MM



## GDSJM

**BRASS BODY, SPRING**

40MM/45MM/50MM/55MM/60MM  
65MM/70MM



## GDSJMA

**ALUMINIUM ALLOY BODY, STEEL BALL, LACQUER PAINTED (LONG SHACKLE AVAILABLE)**

40MM/50MM/60MM



## GDTTK

**IRON WRAP, BRASS/IRON BODY, STEEL BALL**

63MM/73MM/92MM



## GDTK

**IRON WRAP, BRASS/IRON BODY, STEEL BALL**

63MM/73MM/92MM



## GDTKY

**IRON WRAP, BRASS/IRON BODY, STEEL BALL, IRON CAP**

63MM/73MM/92MM



## GDBRF

**BRASS BODY**

30MM/35MM/40MM/45MM/50MM  
55MM/60MM/70MM/80MM/90MM



## GDBRF-U

**BRASS BODY**

40MM/45MM/50MM/60MM/70MM



## GDBTF

**BRASS BODY STEEL BALL**

30MM/40MM/50MM/60MM/70MM



## GDBTF-U

**BRASS BODY STEEL BALL**

40MM/50MM



**GDBF**

**BRASS BODY**

30MM/35MM/40MM/45MM/50MM  
55MM/60MM/70MM/80MM/90MM



**GDSJF**

**BRASS BODY STEEL  
BALL SPRING**

40MM/50MM/55MM/60MM/70MM



**GDBSU**

**BRASS BODY  
SPRING/WITHOUT SPRING**

40MM/50MM/60MM/65MM/70MM  
75MM/80MM/90MM



**GDBSU-C**

**BRASS BODY  
SPRING/WITHOUT SPRING**

70MM/80MM/90MM



**GDBSU-R**

**BRASS BODY  
SPRING/WITHOUT SPRING**

80MM/90MM



**GDBSU-K**

**BRASS BODY, STEEL ARMOUR  
SPRING/WITHOUT SPRING**

50MM/60MM/70MM/80MM  
90MM/100MM



**GDBSU-RK**

**BRASS BODY, STEEL ARMOUR  
SPRING/WITHOUT SPRING**

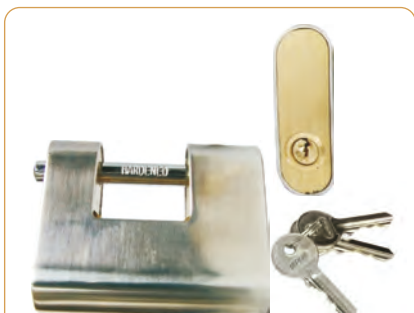
80MM/90MM



**GDSKE**

**BRASS BODY, STEEL ARMOUR,  
SPRING/WITHOUT SPRING**

60MM/70MM/80MM/90MM



**GDSK**

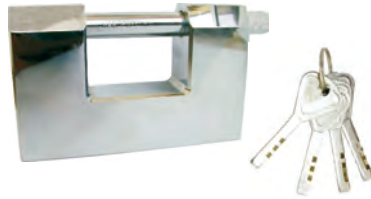
**BRASS BODY, STEEL ARMOUR,  
SPRING/WITHOUT SPRING**

40MM/50MM/60MM/70MM  
80MM/90MM



## GD900

PLASTIC COVER STEEL BODY  
68MM



## GDBSD

BRASS BODY  
40MM/50MM/60MM/70MM/75MM  
85MM/90MM



## GD901

STEEL WRAP, PLASTIC COVER  
ALUMINIUM/STEEL BODY  
STEEL BALLS  
55MM/65MM



## GDORB

STEEL BODY  
74MM/84MM/94MM



## GD901L

STEEL WRAP ALUMINIUM BODY  
/STEEL BODY STEEL BALLS  
65MM



## GD361-367

GREY IRON BODY, SPRING  
(HEAVY DUTY/MIDDLE DUTY)  
20MM/25MM/30MM/40MM/50MM  
60MM/75MM



## GDL362-365

GREY IRON BODY SPRING  
25MM/32MM/38MM/50MM/63MM



## GDSGD

IRON BODY, SPRING CHROME  
PLATED  
20MM/25MM/30MM/40MM/50MM  
60MM/75MM



## GDGRS

IRON BODY, SPRING BRASS  
PAINTED  
20MM/25MM/30MM/40MM/50MM  
60MM/75MM



**GDGGD**

IRON BODY, SPRING  
GOLD PLATED

20MM/25MM/30MM/40MM/50MM  
60MM/75MM



**GDS361-366**

IRON BODY, SPRING  
PLASTIC PAINTED

20MM/25MM/32MM/38MM  
50MM/63MM



**GDT5**

IRON BODY,  
GOLD/CHROME/NICKLE PLATED

40MM/50MM/60MM



**GDGTF**

IRON BODY BRASS  
PAINTED/CHROME PLATED

60MM/70MM/80MM



**GDTEN**

IRON BODY  
GOLD/CHROME/NICKLE PLATED

40MM/50MM/60MM/75MM



**GDGTF-X**

IRON BODY, SPRING  
GOLD PLATED

60MM/70MM/80MM



**GDT203**

IRON BODY, SPRING  
GOLD PLATED

30MM/40MM/50MM/60MM/75MM



**GDGTF-U**

IRON BODY, SPRING CHROME  
PLATED/BRASS PAINTED

60MM/70MM/80MM



**GD4501**

BLACK CASE IRON BODY,  
SPRING

20MM/25MM/30MM/40MM/50MM  
60MM/75MM/85MM/100MM



## GDA85

CASE IRON BODY  
85MM



## GDGHS

IRON BODY, PLASTIC PAINTED  
SPRING  
60MM/70MM/80MM



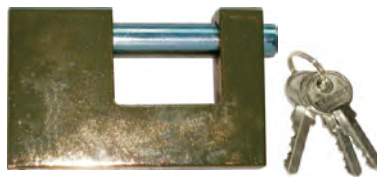
## GDAT

ALUMINIUM BODY / IRON BODY,  
PLASTIC PAINTED  
55MM



## GDHG

IRON BODY,  
PLASTIC PAINTED SPRING  
60MM/70MM/80MM/90MM



## GDTSU

IRON BODY GOLD PLATED  
/ BRASS PAINTED SPRING  
60MM/70MM/80MM/90MM



## GDSRF

S/S BODY  
60MM/70MM/80MM



## GDSRF-U

S/S BODY  
60MM/70MM/80MM



## GDSRF-L

S/S BODY  
60MM/70MM/80MM



## GDSS

S/S BODY  
40MM/50MM/60MM



**GDST**

**S/S BODY**  
30MM/40MM/50MM/60MM



**GDSB**

**S/S 201/304**  
40MM/50MM/60MM/70MM  
80MM/90MM



**GD3000**

**STEEL BODY**  
12X45/12X70/14X45/14X70  
16X45/16X70



**GD3102**

**STEEL BODY**  
12X70/12X95/14X70/14X95  
16X75/16X100



**GDSSR**

**STEEL BODY SPRING**  
55MM/65MM/80MM



**GDSSRL**

**STEEL BODY SPRING**  
55MM/65MM/80MM



**GDS600**

**S/S BODY, SPRING**  
40MM/50MM/60MM



**GDS500**

**STEEL BODY**  
40MM/50MM/60MM



**GDQC01**

**STEEL LAMINATED BODY  
PLASTIC WRAP, SPRING**  
30MM/40MM/50MM/65MM



**GDQC03**

STEEL LAMINATED BODY  
PLASTIC WRAP, SPRING  
30MM/40MM/50MM/65MM



**GDTJ02A**

STEEL LAMINATED BODY  
WATER PROOF  
PLASTIC WRAP, SPRING  
30MM/40MM/50MM/65MM



**GDTJL02A**

STEEL LAMINATED BODY  
WATER PROOF  
PLASTIC WRAP, SPRING  
30MM/40MM/50MM/65MM



**GD2000**

STEEL BODY  
73MM

**GD2000-K**



**GDPS261**

BRASS PADLOCK, PLASTIC SHELL  
40MM/50MM/60MM



**GDPS150**

BRASS PADLOCK,  
PLASTIC SHELL  
40MM/50MM/60MM



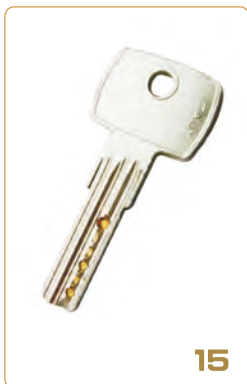
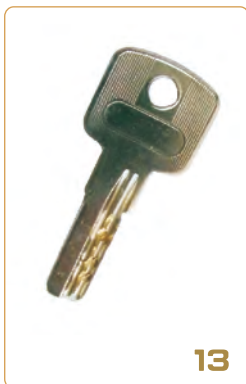
**GDTSP**

IRON BODY, SPRAY PAINT,  
SHINING, SPRING  
40MM/50MM/60MM



**GDAL**

ALUMINUM BODY, SPRAY  
PAINT, SHINING, SPRING  
40MM/50MM/60MM





**GDCL201**

21MM



**GDCL202**

21MM



**GDCL04B**

21MM



**GDCL04F**

21MM



**GDCL04E**

40MM



**GDCL04W**

40MM



**GDCL03E**

30MM



**GDCL03W**

40MM



**GDMGR404**

NOT ADJUSTABLE  
40MM



**GDMGT404**

ADJUSTABLE  
40MM



**GDMG504**

50MM



**GDCL209**



**GDCL350**



**GDCL402**



**GDCL207B**

50MM



**GDCL207C**

50MM



**GDCL19B**



**GDQC05**

STEEL LAMINATED BODY  
PLASTIC WRAP, SPRING  
50MM



**GDCL206B**



**GDCL303**



**GDCL327**



**GDCL210**



**GDCL301**



**GDCL228B**



**GDCL322**



**GDCL307**



**GDCL208**



**GDCL22C**



**GDCL22A**



**GDCL22B**



**GDCL302**



**GDCL309**



**GDCL305**



**GDCL304**



**GDCL204**



**GDCL333**



**GDCL31B**



**GDCL15B**



**GDHL620**



**GDZB339**



**GDHL700**



**GDHL503**



**GDHL502**



**GDHL500**



**GDHL303 AGA**



**GDZD430**



**GDHL502P**



**G-981 GDHL138**



**GDCL307**



**GDHL605**



**GDDP01**



**GDDP06**



**GDDP02**



**GDDP04**



**GDDP05**



**GDDP03**



**GDDP07**



**GDDP08**



**G-604**  
**GDHL504**

D18XL10MM / D18XL16MM  
D18XL20MM / D18XL25MM  
D18XL30MM / D19XL30MM



**G-278**  
**GDHL504A**

D19XL11.5MM / D19XL16MM  
D19XL22MM / D19XL28MM  
D19XL35MM / 90° / 180°



**G-507**



**G-001**

D19XL16MM / D19XL22MM  
D19XL25MM / D19XL30MM



**G-600**



**G-4510**



**G-606**



**G-109**



**G-19**



**G-505A GDHL106**

120MM/140MM/160MM



**G-505 GDHL801A**

120MM/140MM/160MM



**G-969A**



**G-969B**



**G-969**



**G-219**



**G-010**



**G-506  
GDHL506**

D19XL23MM



**G-421**



**G-414**



**G-6572**



**G-5P918C**



**G-03-110**



**G-5P918D**



**G-5P918B**



**G-5P918A**



**G-022**



**G-03-110**



**G-1223A**



**G-312**



**G-0123**



**G-250**



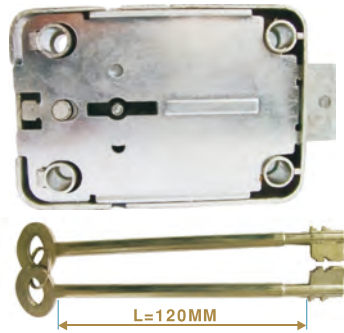
**G-S872-01**



**G-S872-02**



**G-70406**



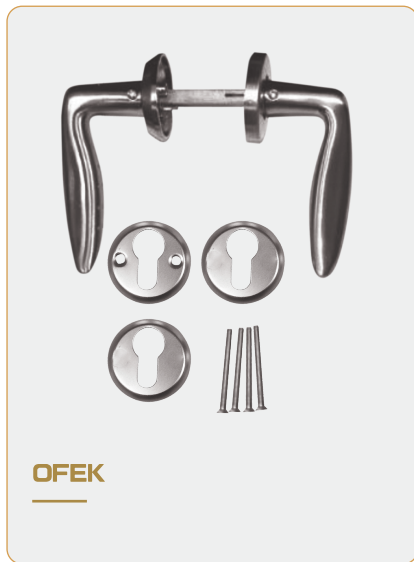
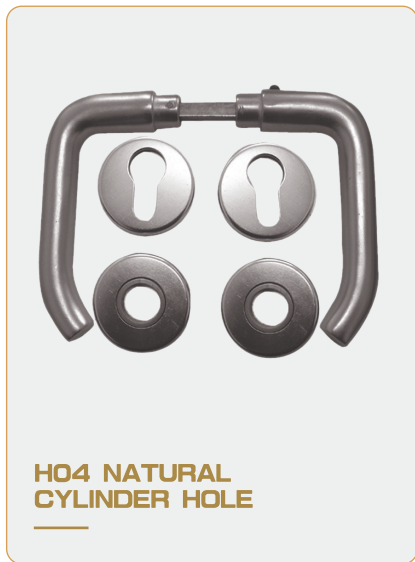
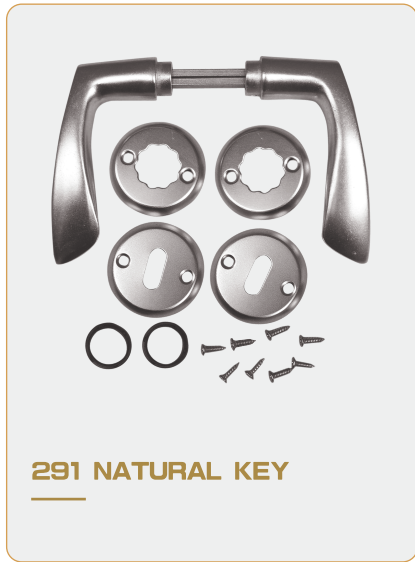
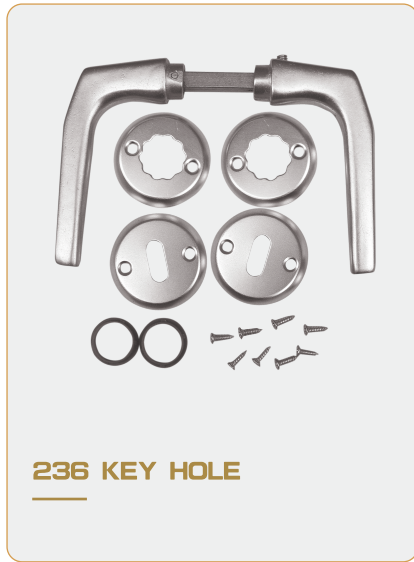
**G-C490**



**G900-1**



**G900-2**





# Handle locks



**G-040**



**G-060**



**G-1018L**



**G-10171A**



**G-10171**



**G-9782L**



**G-T006**



**G-0224**




**G-9782**



GD6682

The image shows a green door lock with a keyhole and a key. A technical drawing below shows the lock's profile with a width dimension of 50/60/70.



GD6682A

The image shows a red door lock with a keyhole, a key, and a red handle. A technical drawing below shows the lock's profile with a width dimension of 50/60/70.



GD6682-14BP

The image shows a black door lock with a keyhole and a key. A technical drawing below shows the lock's profile with a width dimension of 70.



GD106-BP

The image shows a black door lock with a keyhole and a key. A technical drawing below shows the lock's profile with a width dimension of 60/70.



GD2020

The image shows a yellow door lock with a keyhole and a key. A technical drawing below shows the lock's profile with a width dimension of 60/70.



GD2030

The image shows a white door lock with a keyhole and a key. A technical drawing below shows the lock's profile with a width dimension of 60/70.



GD5582FC

The image shows a red door lock with a keyhole and a key. A technical drawing below shows the lock's profile with a width dimension of 70.



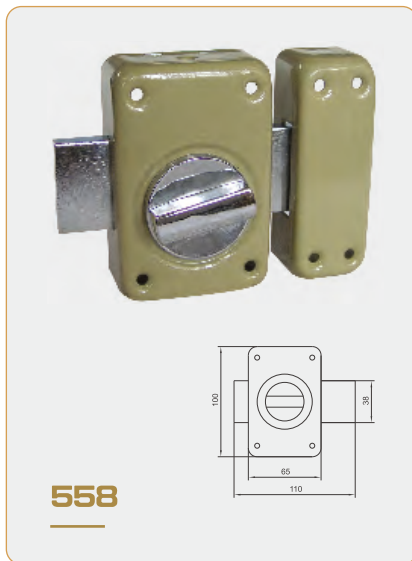
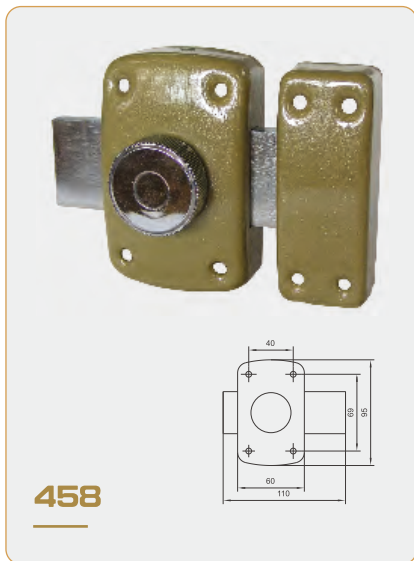
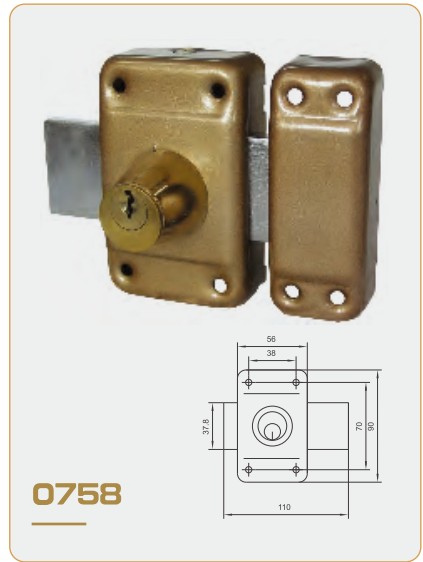
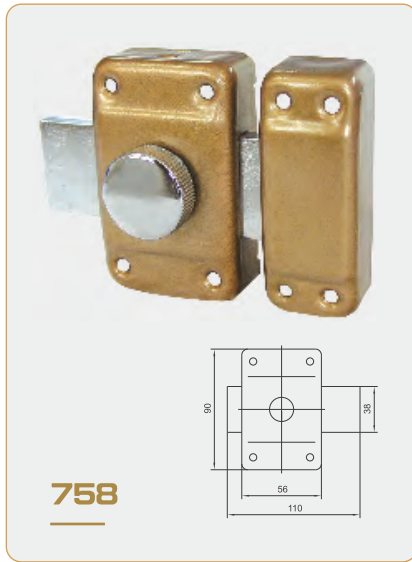
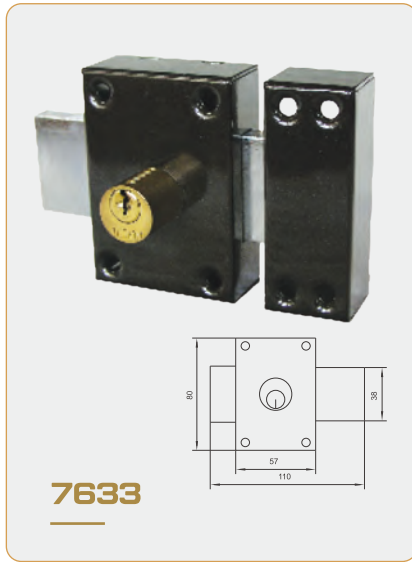
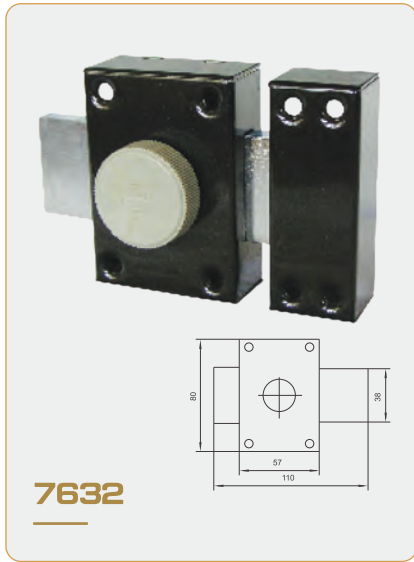
GDP61

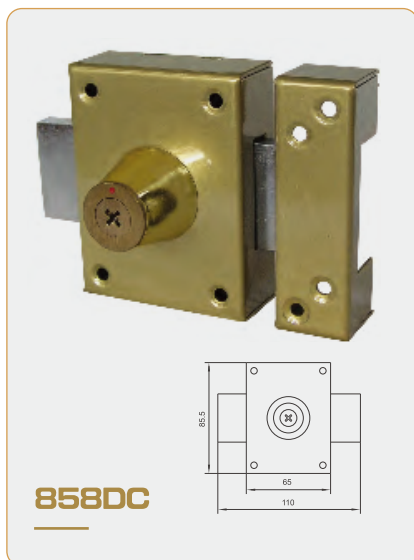
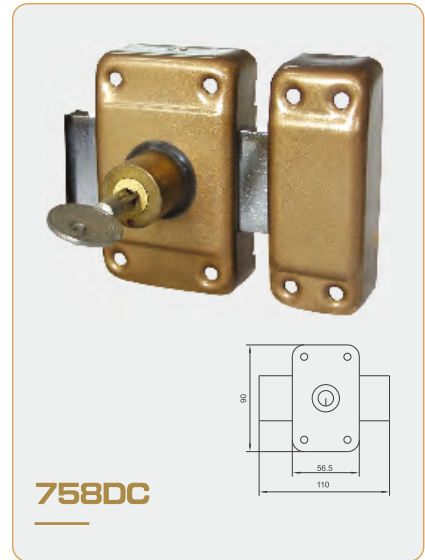
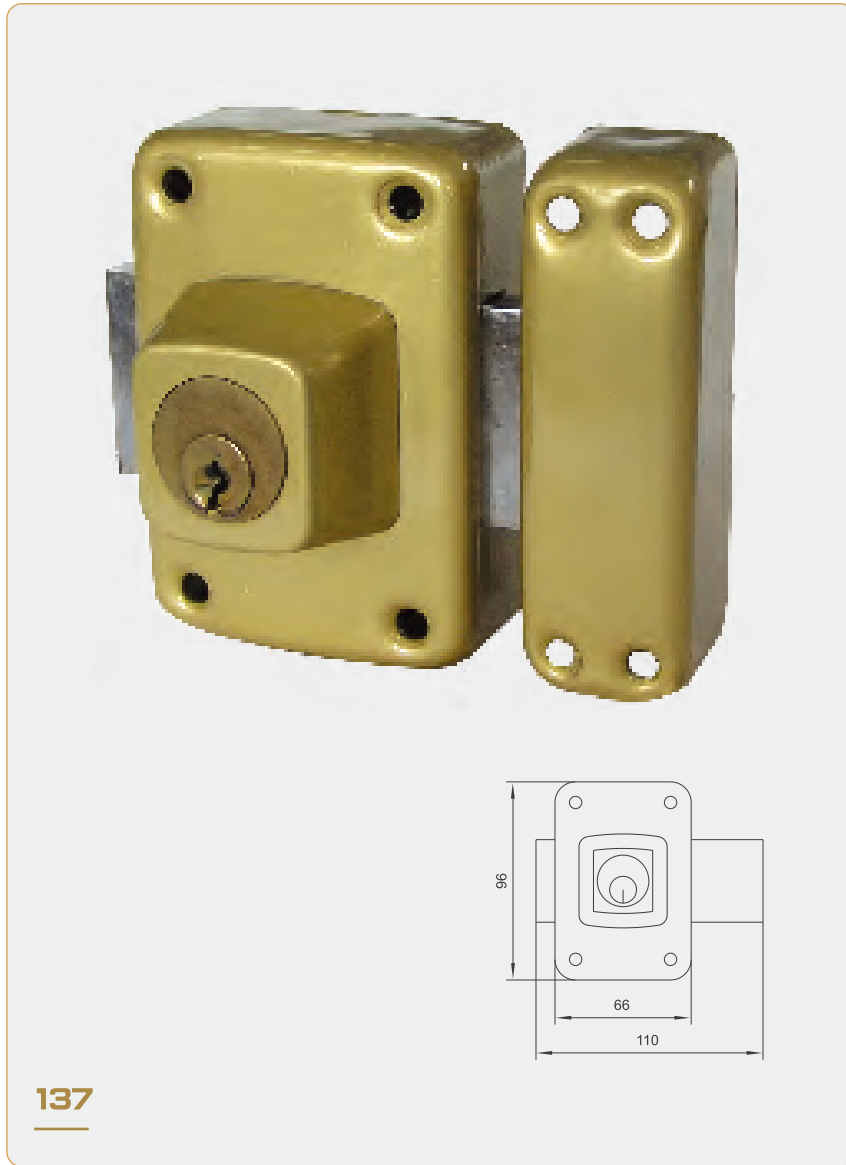
The image shows a red door lock with a keyhole, a key, and a technical drawing of the lock's internal mechanism with a width dimension of 55.



GDJT708

The image shows a brown door lock with a keyhole and a key.







0894



1094



1294



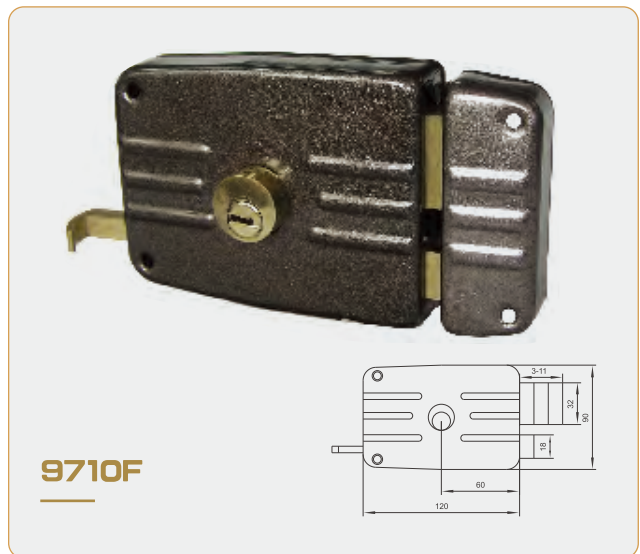
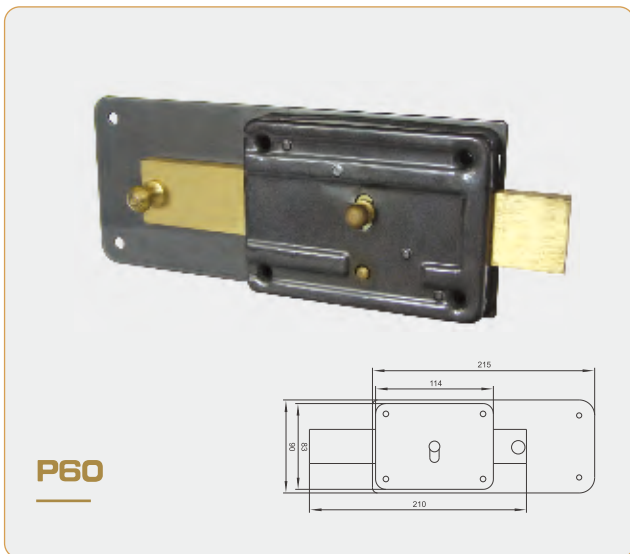
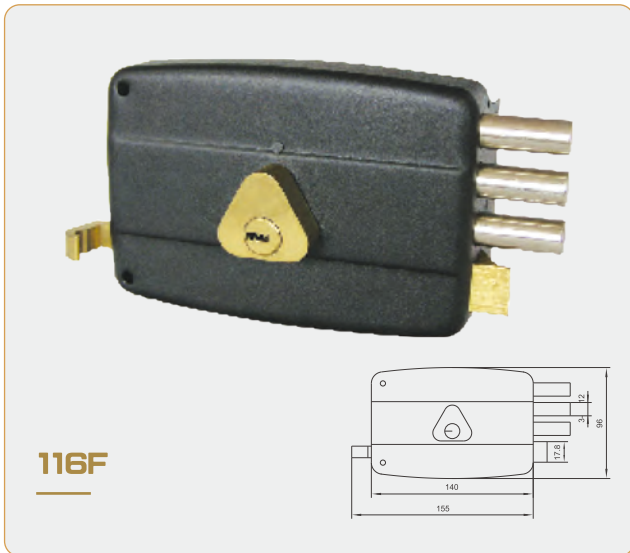
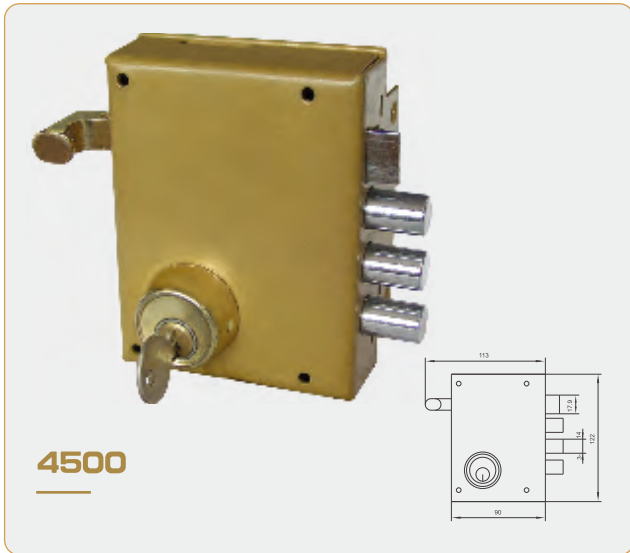
1494



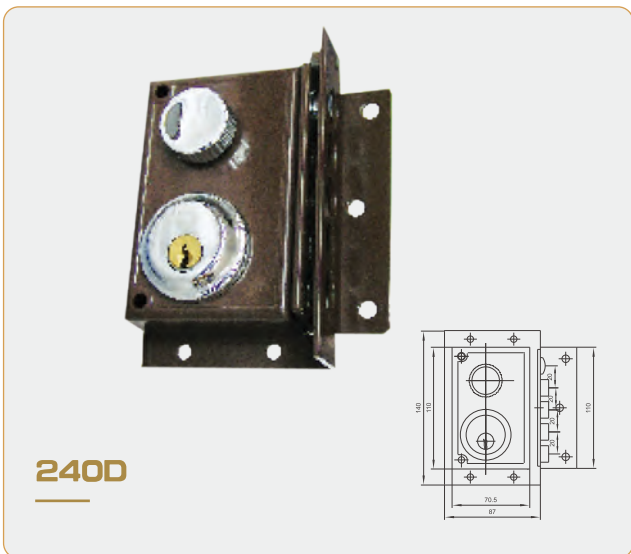
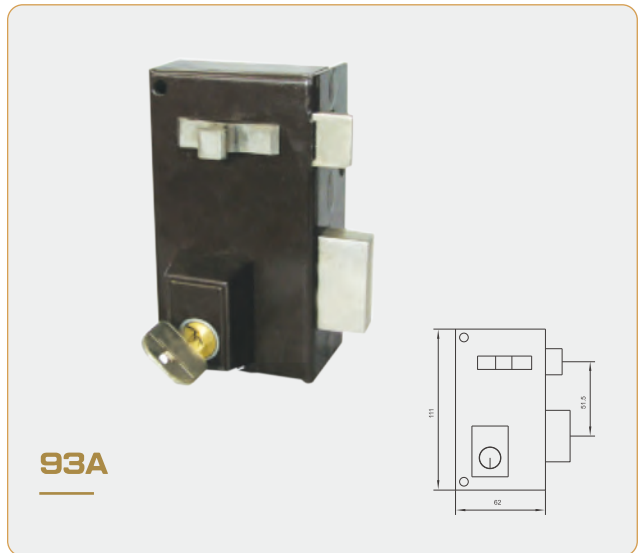
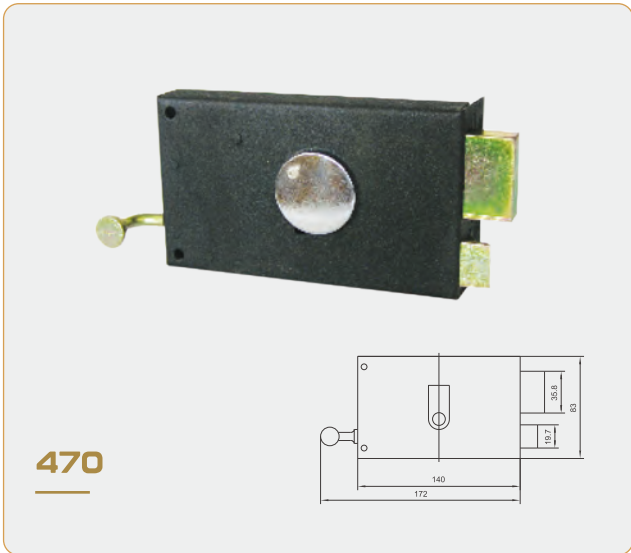
1492



1483











720



8993



775



GDRLO01-A



GDRLO01-B



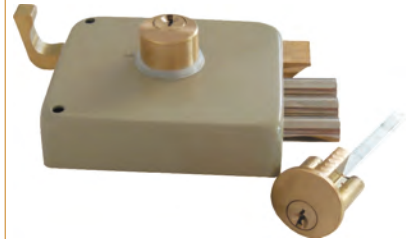
GD221



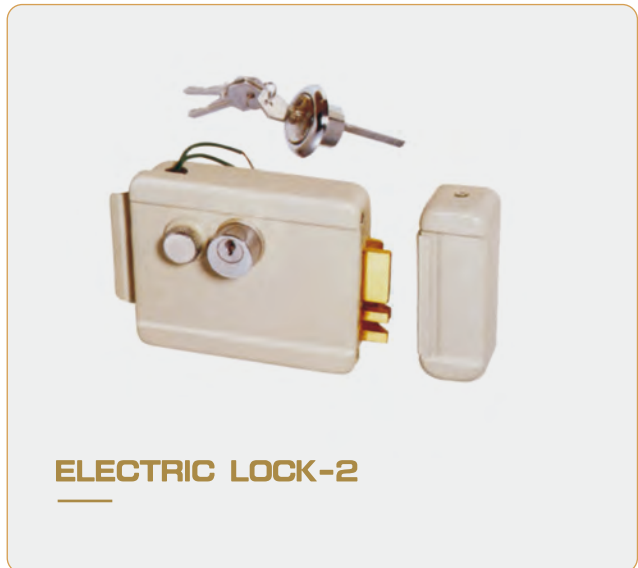
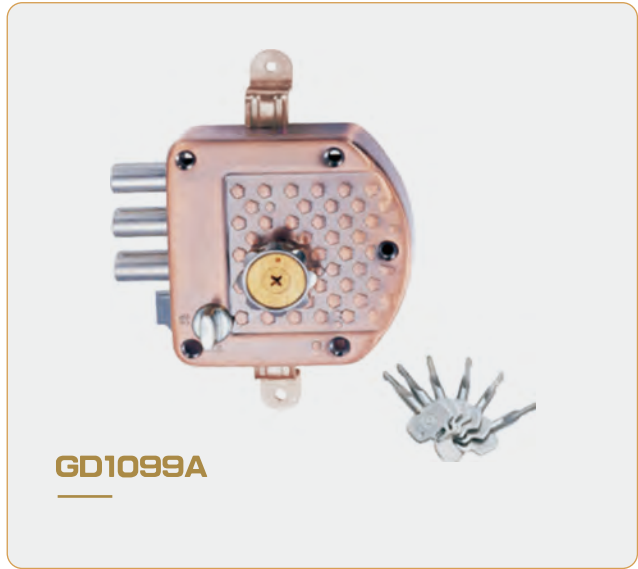
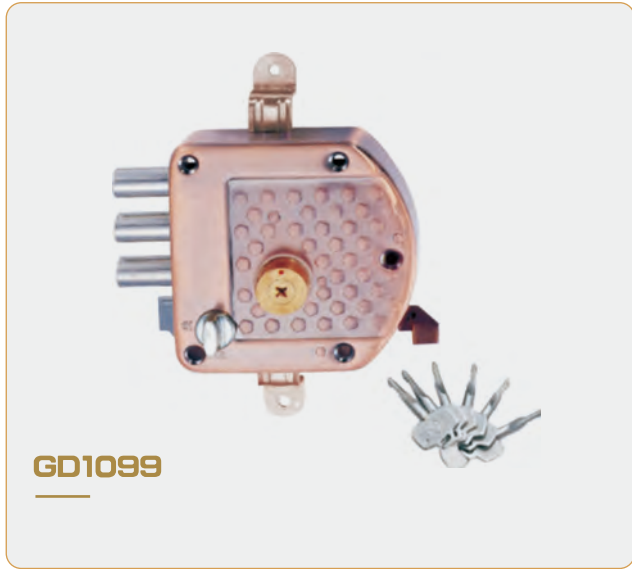
GD222

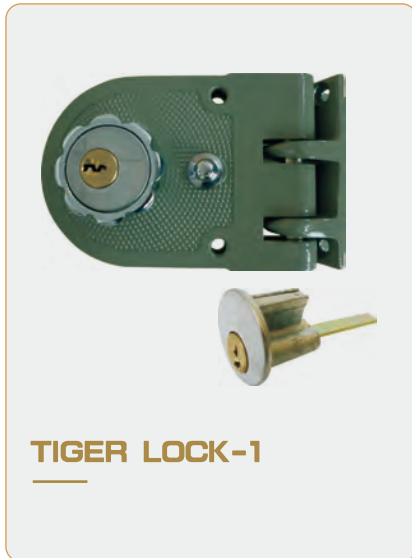
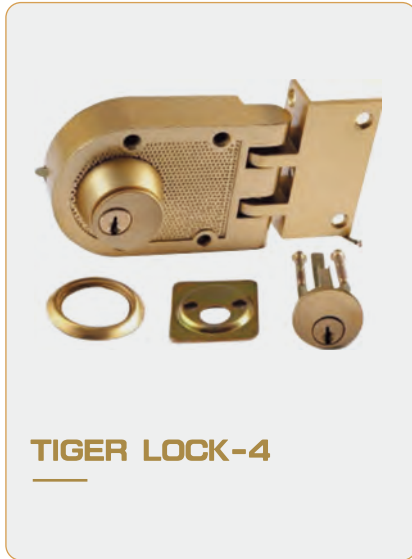
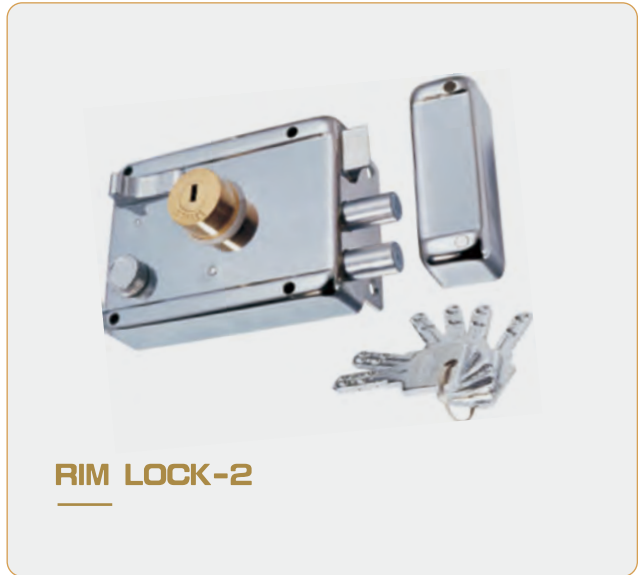


GD3500

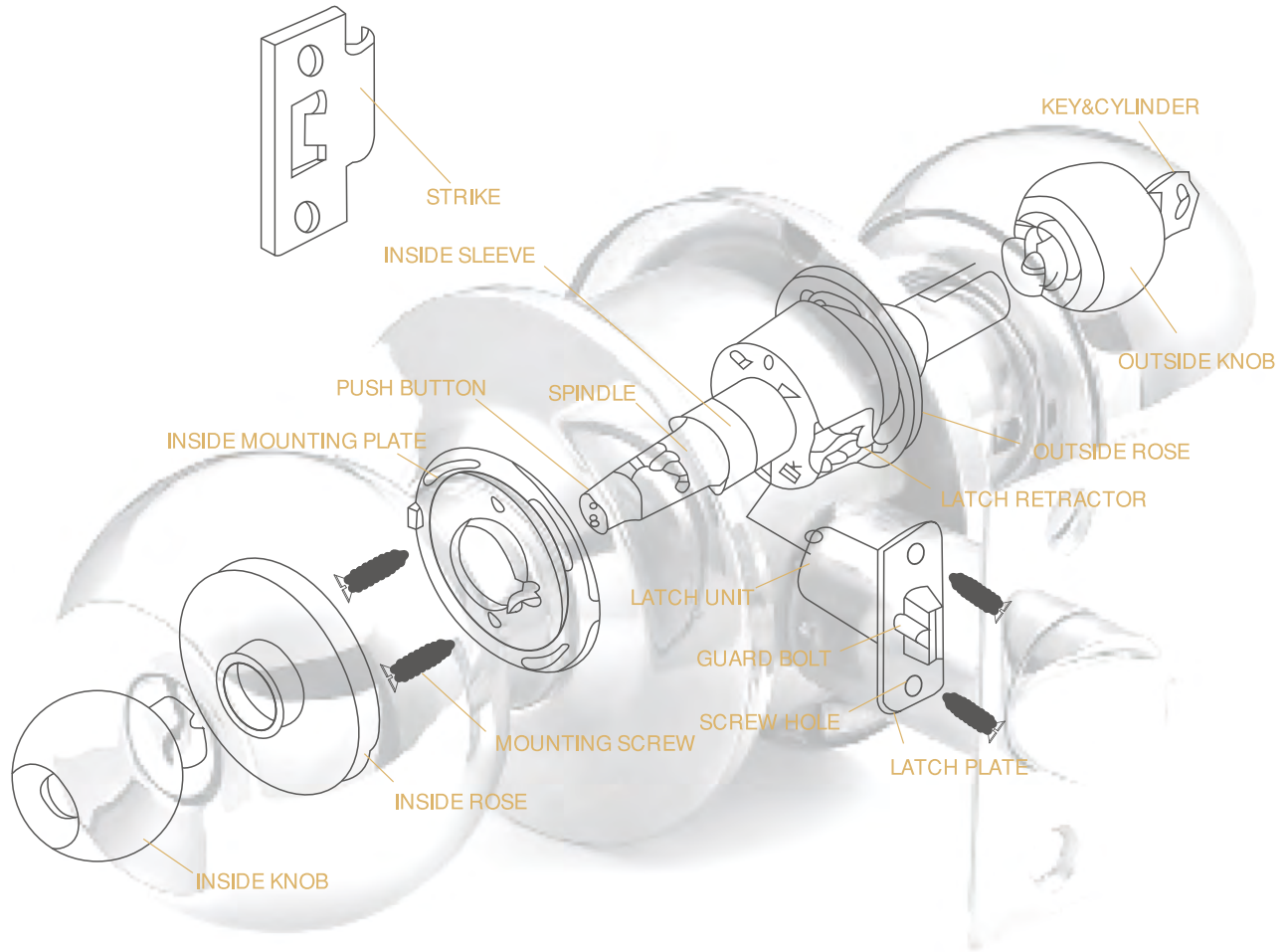


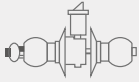
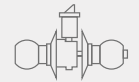
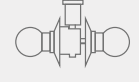
GD3501



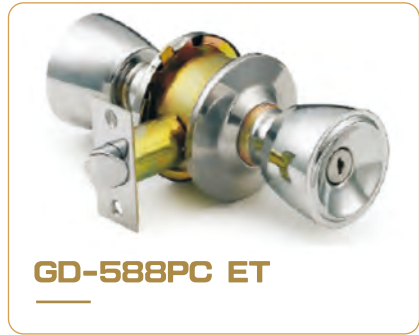
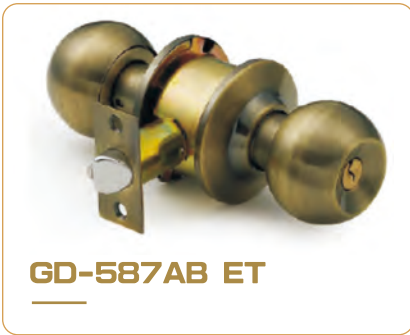


## PARTS SHOWING



FUNCTIONS AVAILABLE	
	<p><b>Entry/Office Lock(ET)</b> Both knobs locked or unlocked by key outside or push button inside</p>
	<p><b>Privacy Lock(BK)</b> Outside knob is locked by push button inside and unlocked by emergency release outside, rotating inside knob, the inside knob is always unlocked providing emergency exit</p>
	<p><b>Passage/Closest Lock(PS)</b> Both knobs are always unlocked from inside and outside</p>
FOR GETTING MORE DETAILS PLEASE CONTACT US	

FINISHES AVAILABLE		
KVC CODE	US CODE	DESCRIPTION
PB	US 3	Polished Brass
SB	US 4	Satin Brass
AB	US 5	Antique Brass
AC	US 11	Antique Copper
SN	US 15	Satin Nickel
BN	US 17A	Black Nickel
PC	US 26	Polished Chrome
SC	US 26D	Satin Chrome
SS	US 32	Satin Stainless Steel
SP	US 32D	Polished Stainless Steel
PD		Pearl Chrome
PVD		Lifetime Finish
Other finishes available, please contact with us for the detail.		





**GD-586SS ET**



**GD-586AB ET**



**GD-586AC ET**



**GD-586PB ET**



**GD-586AC ET**



**GD-581AC ET**



**GD-585AB ET**



**GD-582AC ET**



**GD-589AC ET**



**GD-578AC ET**



**GD-578PB ET**



**GD-578SS ET**



**GD-586PB ET**



**GD-586AC ET**



**GD-581AC ET**



Item no: **GD-587PB ET**



**GD-570AB BK**



**GD-570PC ET**



**GD-570SS BK**



**GD-570SB BK**



**GD-570AC BK**



**GD-570PB BK**



**GD-5791AB ET**



**GD-5791PB ET**



**GD-5791SS-PC BK**



**GD-5791AC ET**



**GD-5791SS ET**



**GD-5791PB-1 ET**



**GD-5791JM-B ET**



**GD-5791AB ET**



**GD-5791SB-PB-D ET**



**GD-5791AC-1 ET**



**GD-5791AB-1 ET**



**GD-5791SB-PB ET**



**GD-5791SS-PC ET**



**GD-5792AC ET**



**GD-5792BN-AC ET**



**GD-5792PB-SB ET**



**GD-5792SB ET**



**GD-5793PB ET**



**GD-5793SS ET**



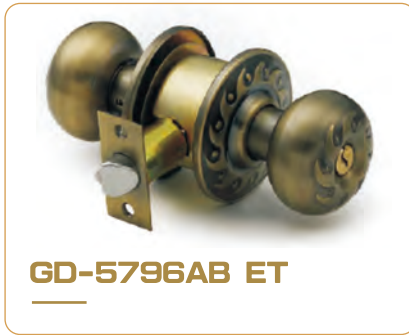
**GD-5793AC ET**



**GD-5793AB ET**



**GD-5793AC ET**



**GD-5796AB ET**



**GD-5796AC ET**



**GD-5796BN-AC ET**



**GD-5797AB ET**



**GD-5979AC ET**



**GD-5797BN-AC ET**



**GD-5797AB ET**



**GD-5798BN-AC ET**



**GD-5731AB ET**



**GD-5731PB ET**



**GD-5731JM-A ET**



Item no: **GD-5791PN ET**



**GD-5875**



**GD-199JM-PB ET**



**GD-5731SS ET**



**GD-5731AC ET**



**GD-5731SB ET**



**GD-5731SS-PC-D ET**



**GD-5731PC BK**



**GD-5731SS-PC ET**



**GD-5731BN ET**



**GD-5831AC-1 ET**



**GD-5831JM-B ET**



**GD-5831PB ET**



**GD-5831PB-D ET**



**GD-5831SB ET**



**GD-5831SS ET**



**GD-5831SS-PC ET**



**GD-5831SS ET**



**GD-5831AB ET**



**GD-5831AB ET**



**GD-5831AC ET**



**GD-199SS BK**



**GD-5873**



**GD-5877**



**GD-5872AC ET**

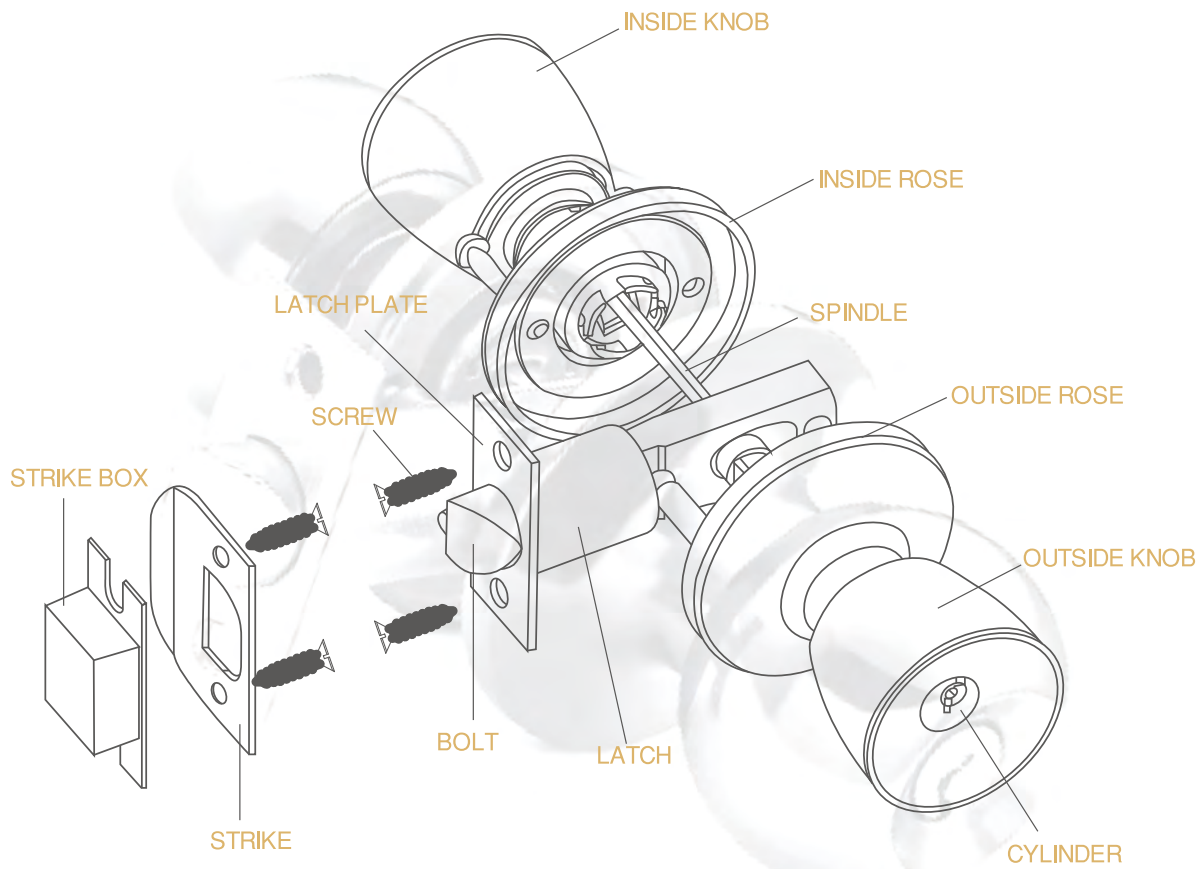


**GD-5874BN-AC ET**



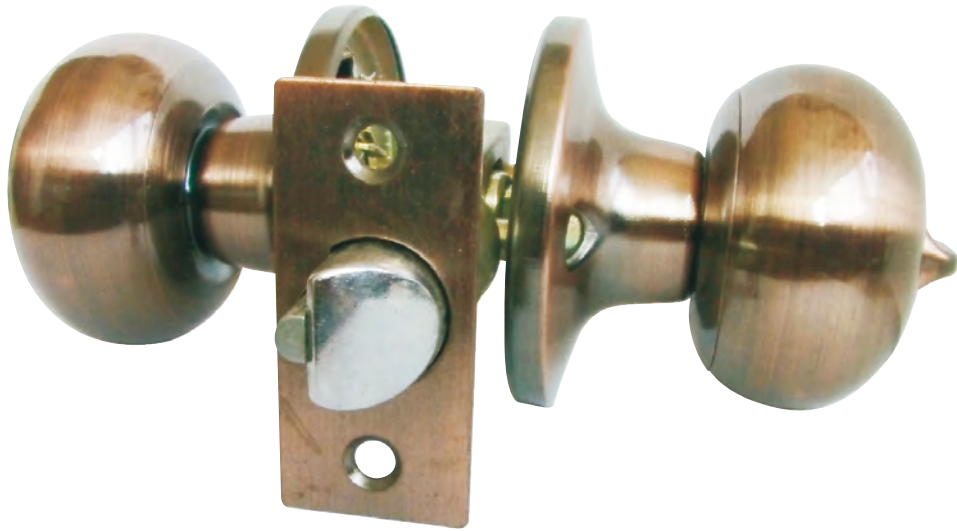
**GD-5876**

# PARTS SHOWING



FUNCTIONS AVAILABLE	
	Entry/Office Lock(ET) Both knobs locked or unlocked by key outside or turn button inside
	Privacy Lock(ET) Both knobs locked or unlocked by turn button inside or emergency key outside
	Passage/Closet Lock(ET) Both knobs are always free
FOR GETTING MORE DETAILS PLEASE CONTACT US	

FINISHES AVAILABLE		
KVC CODE	US CODE	DESCRIPTION
PB	US 3	Polished Brass
SB	US 4	Satin Brass
AB	US 5	Antique Brass
AC	US 11	Antique Copper
SN	US 15	Satin Nickel
BN	US 17A	Black Nickel
PC	US 26	Polished Chrome
SC	US 26D	Satin Chrome
SS	US 32	Satin Stainless Steel
SP	US 32D	Polished Stainless Steel
PD		Pearl Chrome
PVD		Lifetime Finish
Other finishes available, please contact with us for the detail.		



Item no: **GD-609AC ET**



**GD-608WW ET**



**GD-609PB ET**



**GD-3051SS ET**



**GD-610SS PS**



**GD-3073SS ET**



**GD-3091PB PS**



**GD-3082AC BK**



**GD-3082PC BK**



**GD-3082SS BK**



Item no: **GD-607BN ET**



**GD-807PB ET**



**GD-808AB ET**



**GD-607AB ET**



**GD-607SB ET**



**GD-607SS ET**



**GD-607AC ET**



**GD-607PB ET**



**GD-607SB ET**



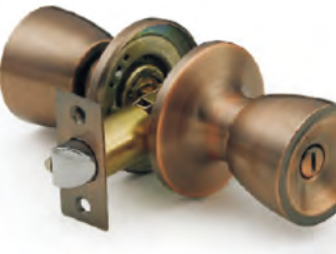
**GD-507SS PS**



**GD-607JM ET**



**GD-608AB BK**



**GD-608AC BK**



**GD-608SB BK**

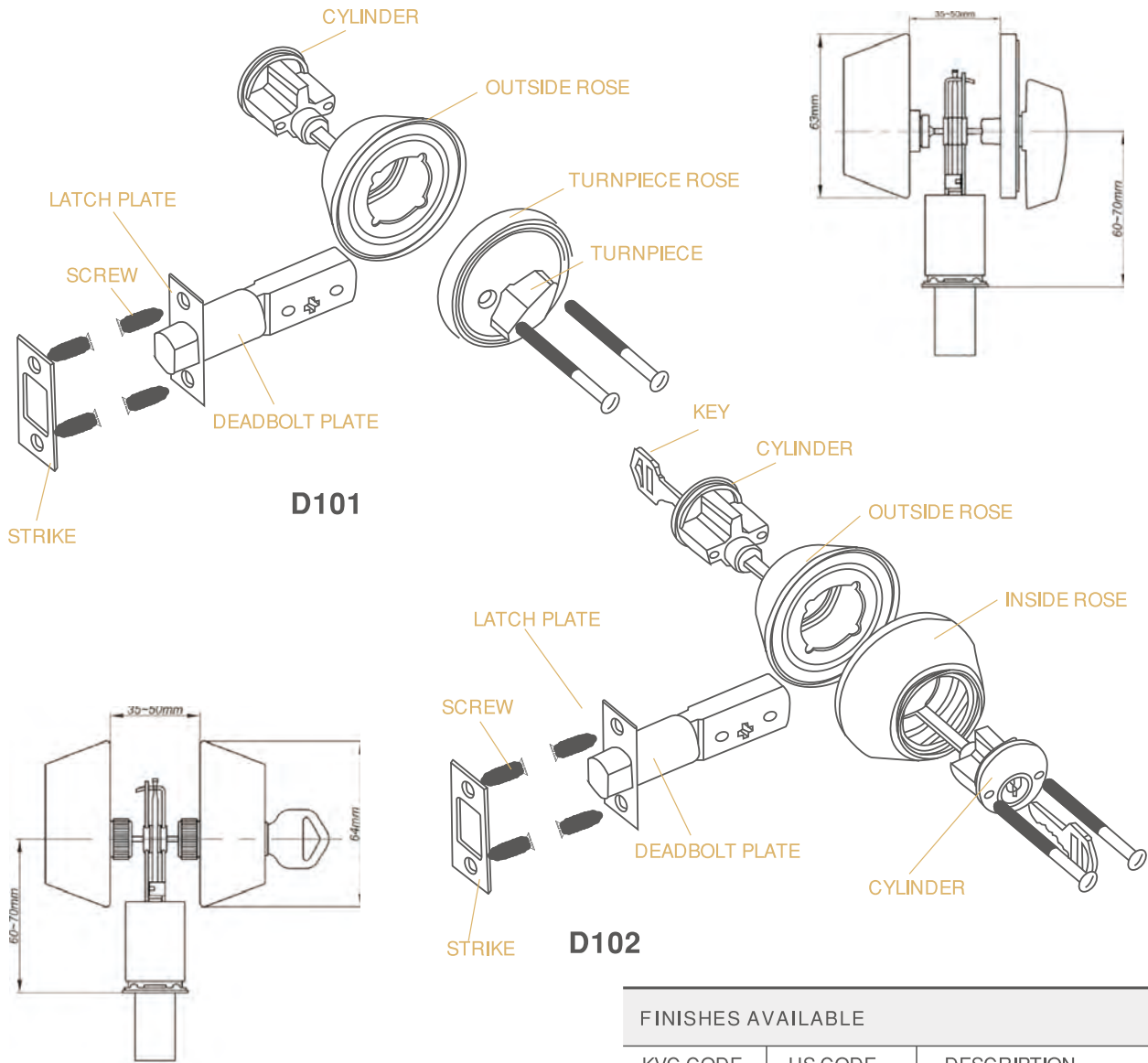


**GD-608SS BK**



**GD-509SS ET**

## PARTS SHOWING



### PACKAGES:

ITME NO.	D101	D102
PACKING	BOX BLISTER	
PCS/CTN	30PCS/CTN	24PCS/CTN
MEASUREMENT	39X31.5X15.5CM 49X30.5X18CM	
G.W./N.W.(KG)	14/13KGS	16/15KGS
	11/10KGS	13/12KGS

### FINISHES AVAILABLE

KVC CODE	US CODE	DESCRIPTION
PB	US 3	Polished Brass
SB	US 4	Satin Brass
AB	US 5	Antique Brass
AC	US 11	Antique Copper
SN	US 15	Satin Nickel
BN	US 17A	Black Nickel
PC	US 26	Polished Chrome
SC	US 26D	Satin Chrome
SS	US 32	Satin Stainless Steel
SP	US 32D	Polished Stainless Steel
PD		Pearl Chrome
PVD		Lifetime Finish

Other finishes available, please contact with us for the detail.



**GD-D101SS ET**



**GD-D101AB ET**



**GD-D101AC ET**



**GD-D102AC ET**



**GD-D102PB ET**



**GD-D102AB ET**

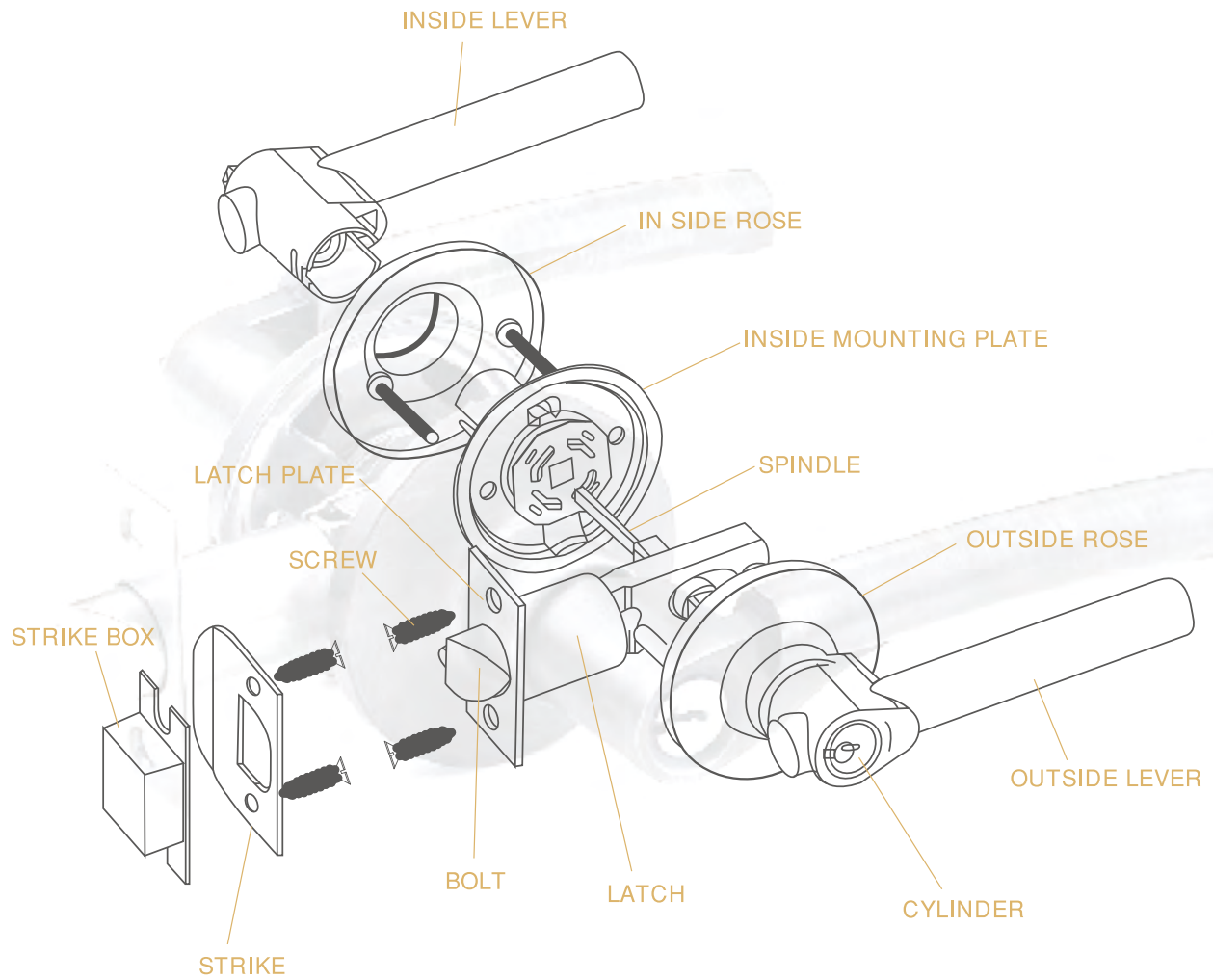


**GD-D101PB ST**



**GD-D102SS**

# PARTS SHOWING



FUNCTIONS AVAILABLE	
	Entry/Office Lock(ET) Both knobs locked or unlocked by key outside or turn button inside
	Privacy/Bathroom Lock(ET) Both levers locked or unlocked by turn button inside or emergency key outside
	Passage/Closet Lock(ET) Both levers are always free
FOR GETTING MORE DETAILS PLEASE CONTACT US	

FINISHES AVAILABLE		
KVC CODE	US CODE	DESCRIPTION
PB	US 3	Polished Brass
SB	US 4	Satin Brass
AB	US 5	Antique Brass
AC	US 11	Antique Copper
SN	US 15	Satin Nickel
BN	US 17A	Black Nickel
PC	US 26	Polished Chrome
SC	US 26D	Satin Chrome
SS	US 32	Satin Stainless Steel
SP	US 32D	Polished Stainless Steel
PD		Pearl Chrome
PVD		Lifetime Finish
Other finishes available, please contact with us for the detail.		



**GD-3101US10B ET**



**GD-3101PB ET**



**GD-3101PN ET**



**GD-3201PN ET**



**GD-3201WL BK**



**GD-3201AC ET**



**GD-3501SS ET**



**GD-3501PC ET**



**GD-3501AB ET**



**GD-3601AC ET**



**GD-3601PC ET**



**GD-3701AC ET**



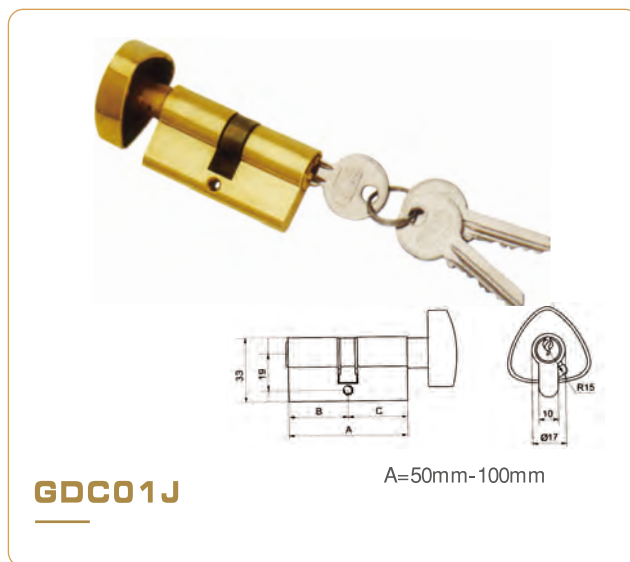
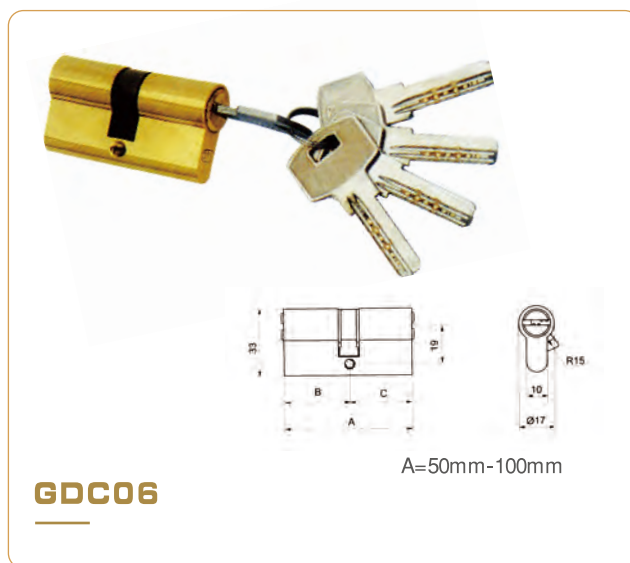
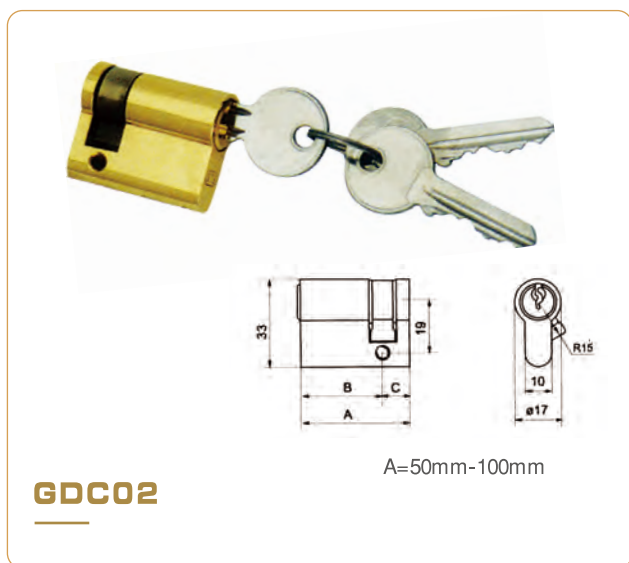
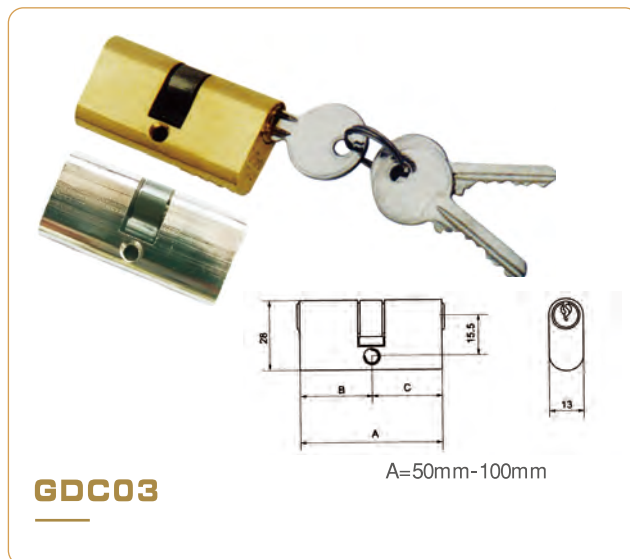
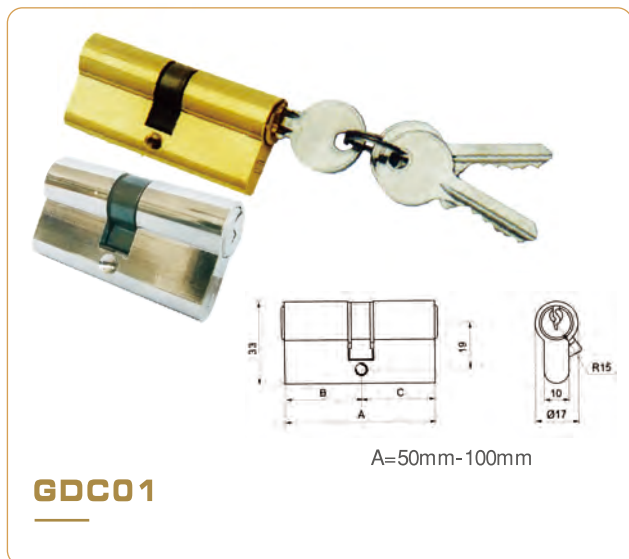
**GD-3301PN ET**

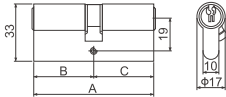


**GD-3301PB BK**



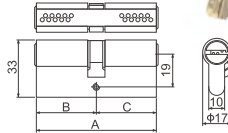
**GD-3801PB ET**





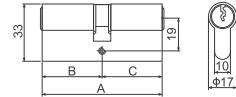
**GDDPS60/70/80/90/100**

double lines pins, S keyway



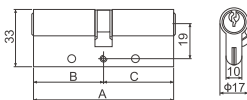
**GDDPC60/70/80/90/100**

double lines pins, security key way



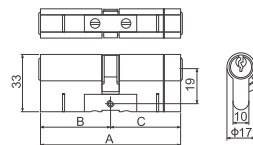
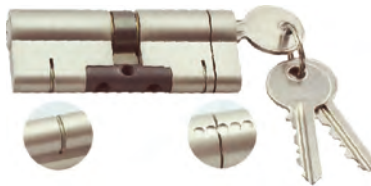
**GDADS60/70/80/90/100**

anti-drilled



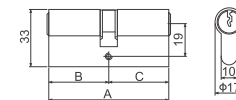
**GDASS60/70/80/90/100**

anti-snaped



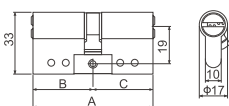
**GDASKS60/70/80/90/100**

anti-snap and anti knocked



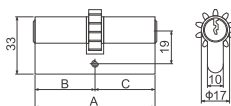
**GDADKS60/70/80/90/100**

anti-drilled and anti knocked



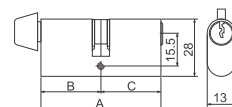
**GDASHC60/70/80/90/100**

anti-snaped



**GDWHC60/70/80/90/100**

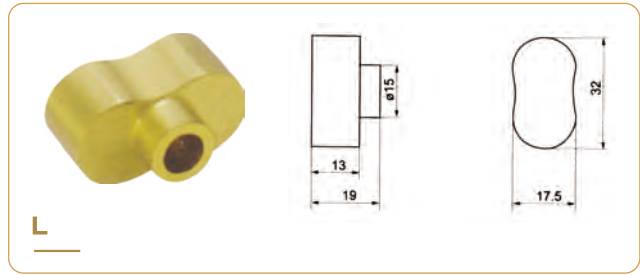
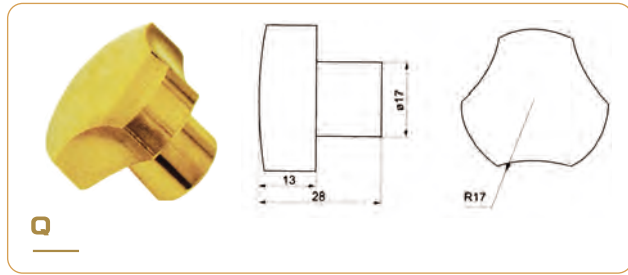
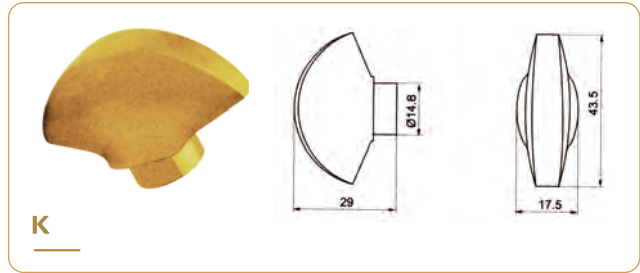
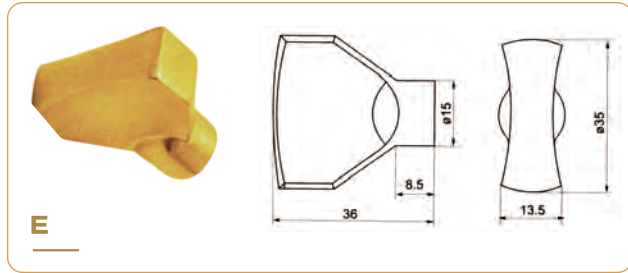
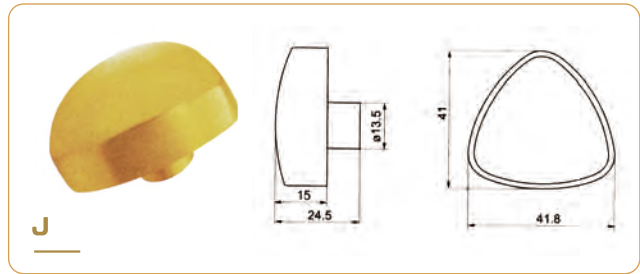
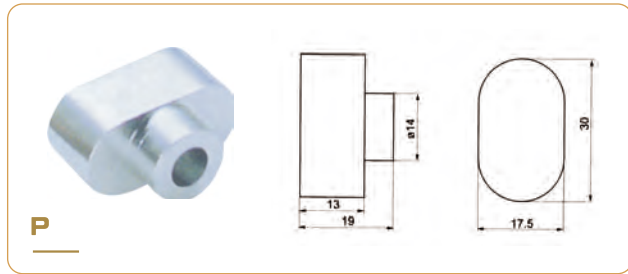
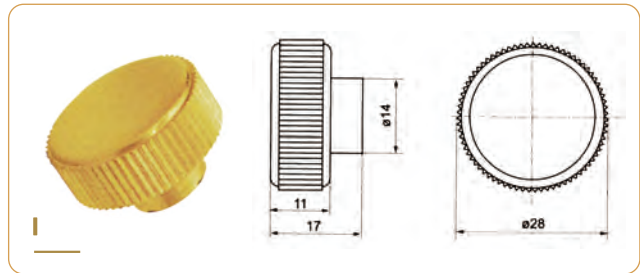
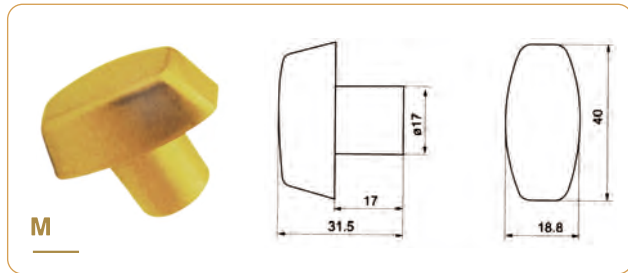
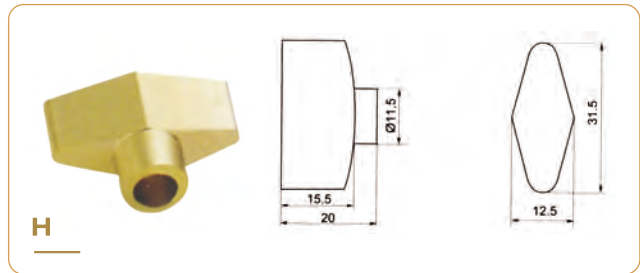
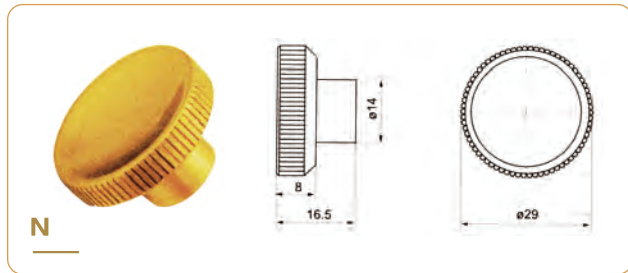
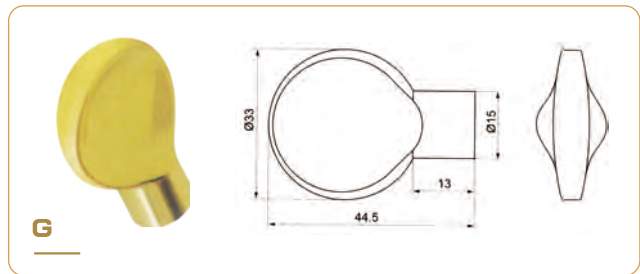
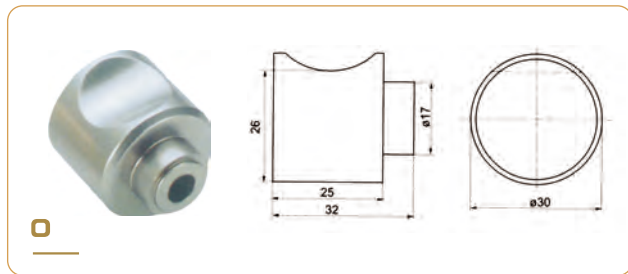
wheel cam

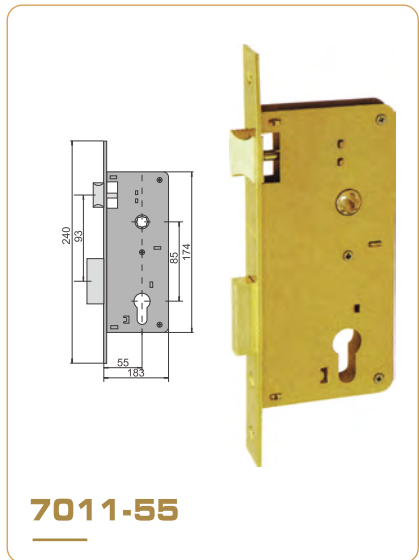
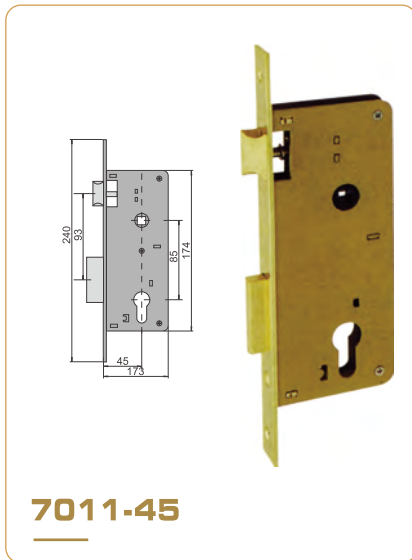
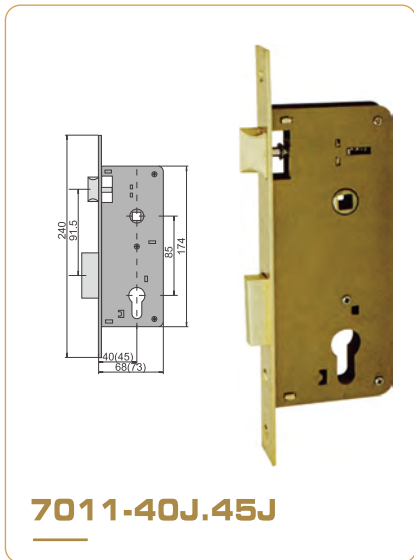
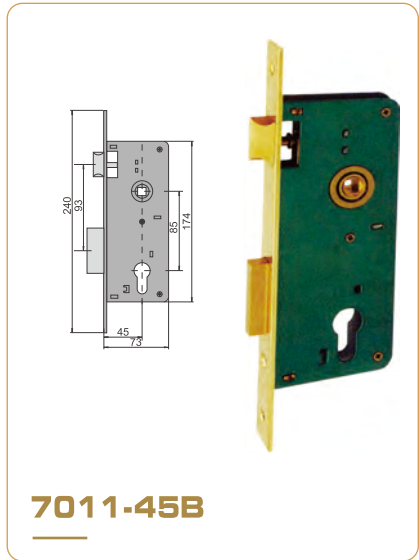
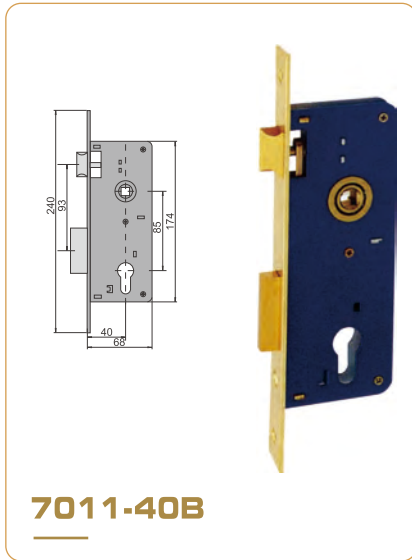
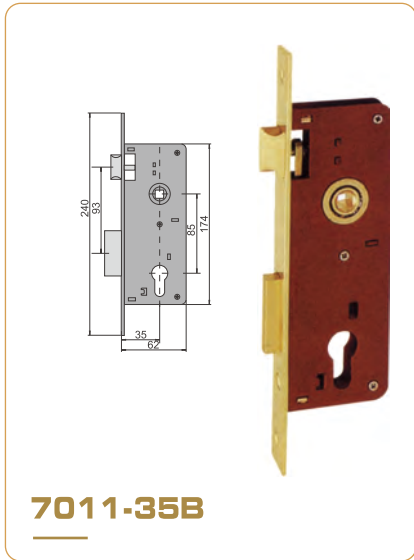
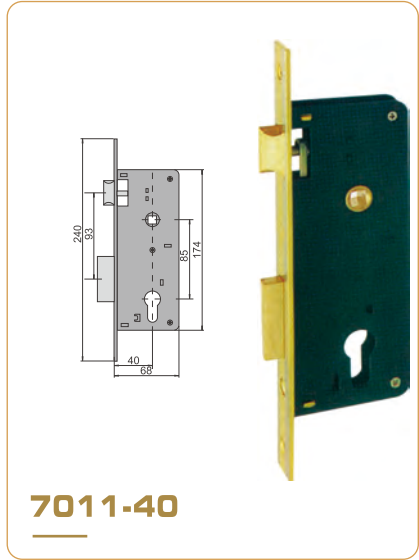
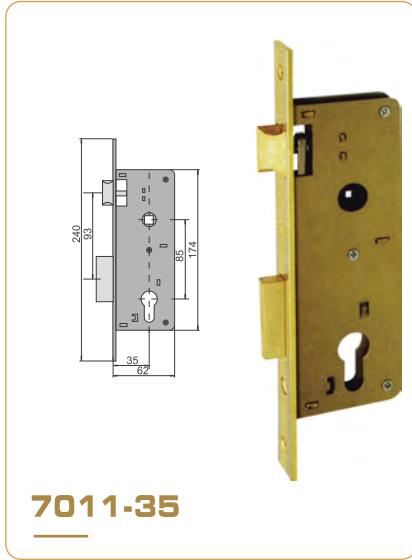
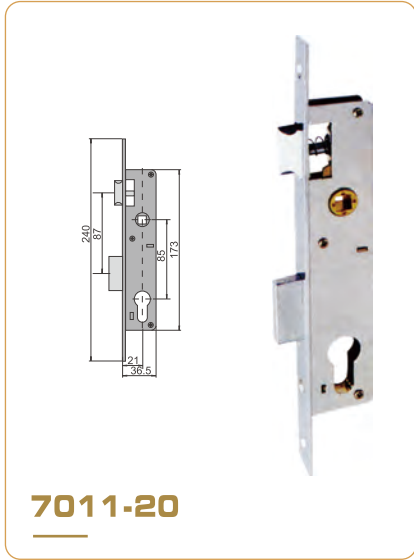


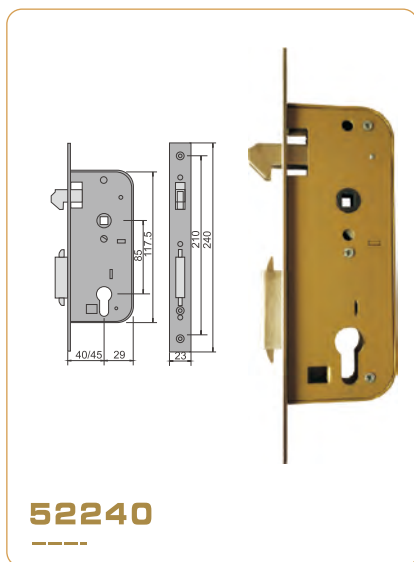
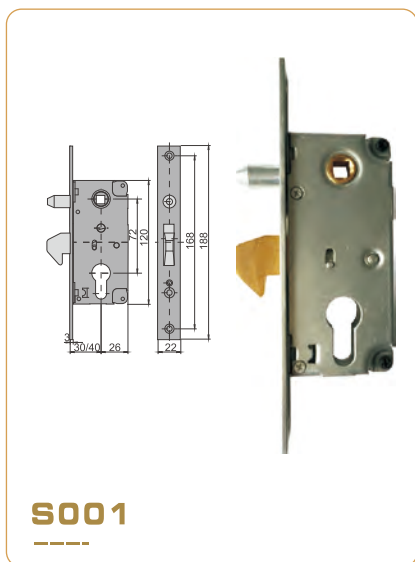
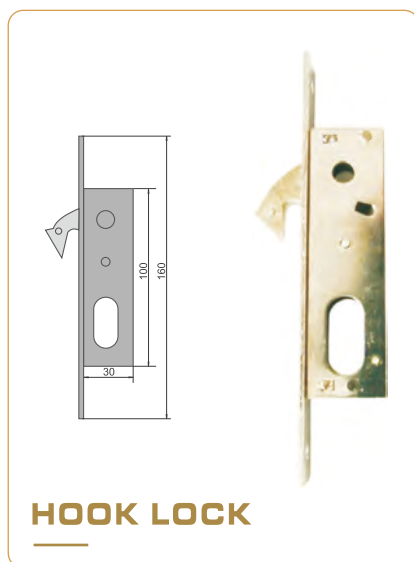
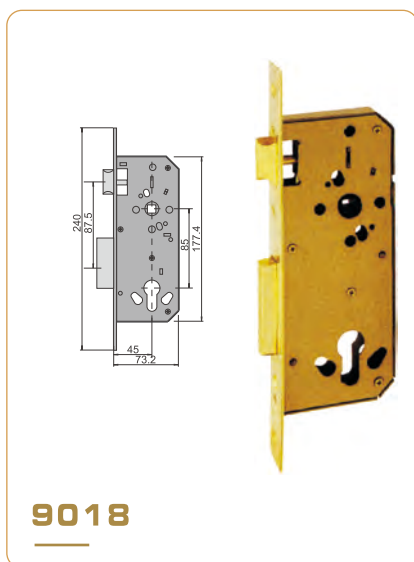
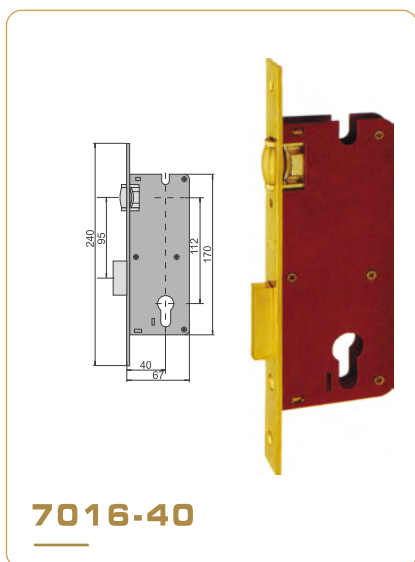
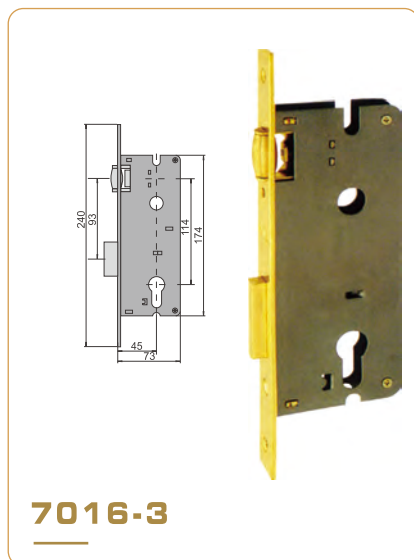
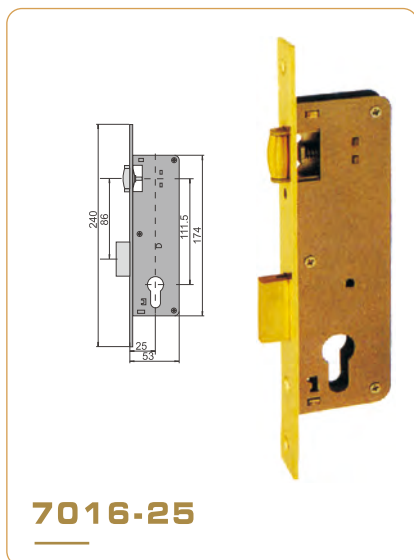
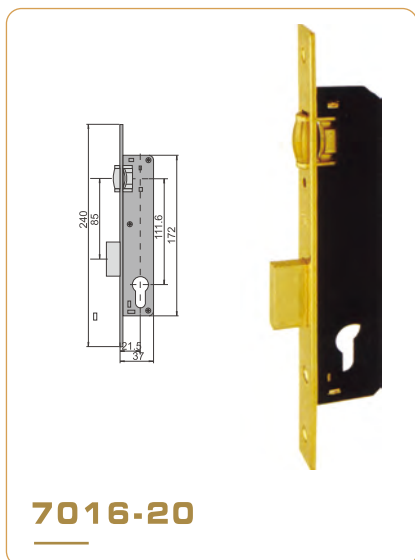
**GDODCS54**

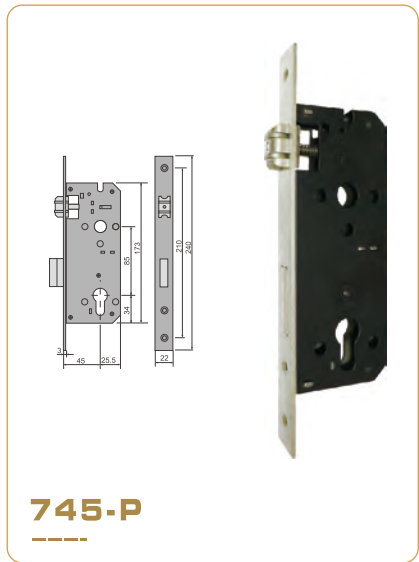
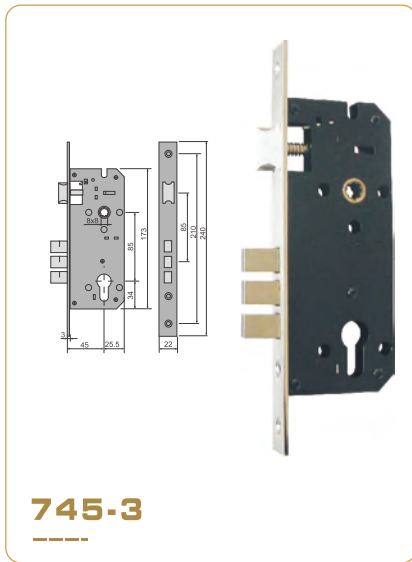
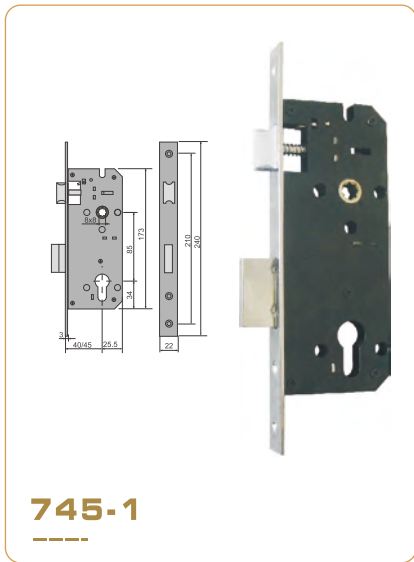
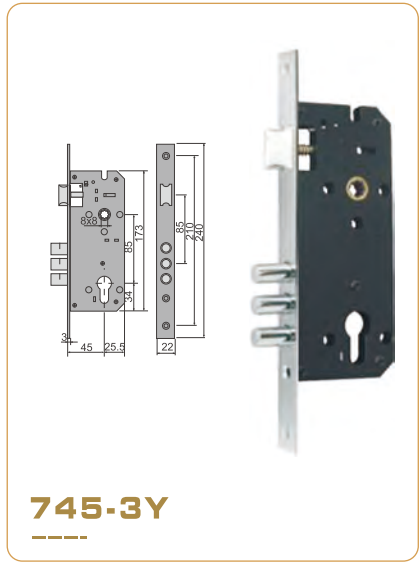
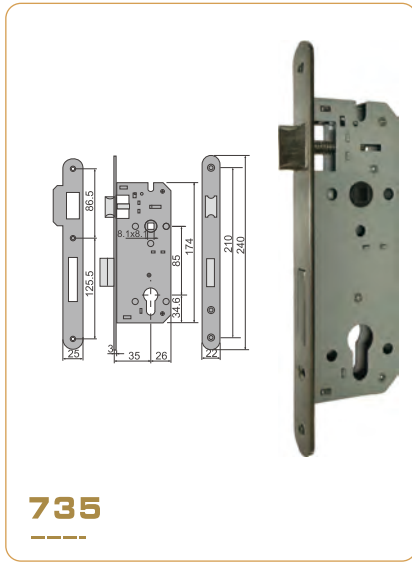
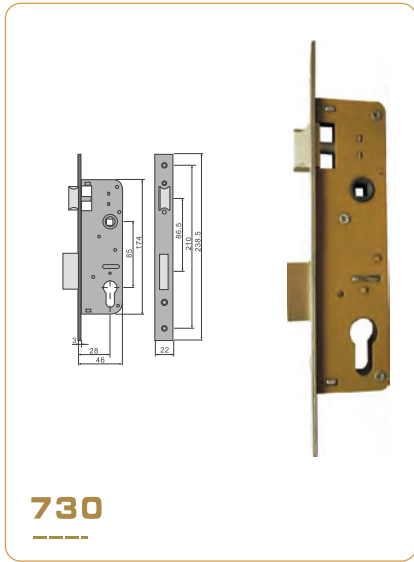
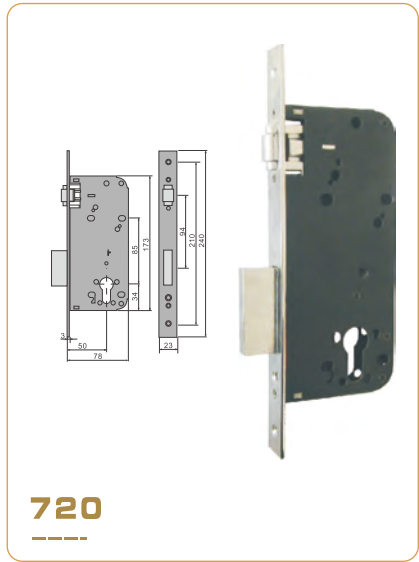
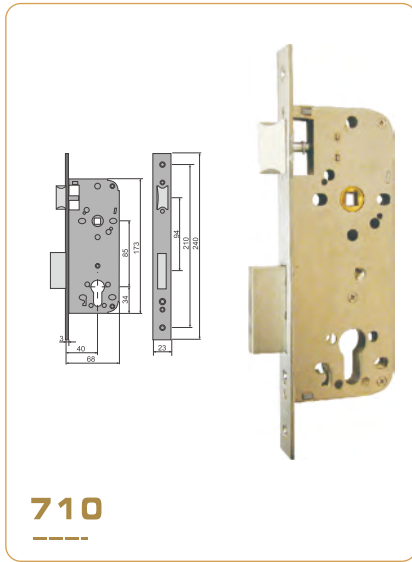
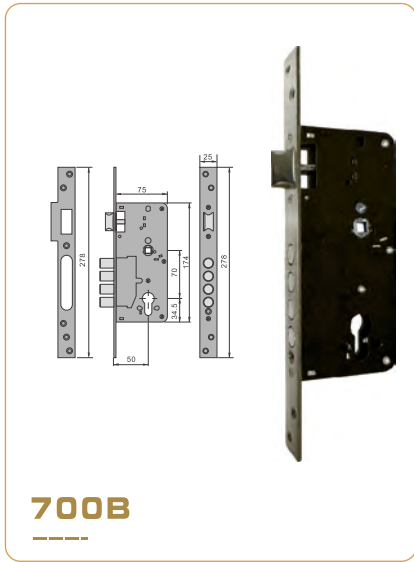
double cams

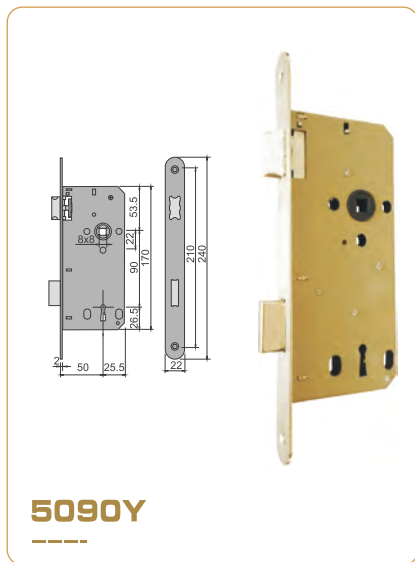
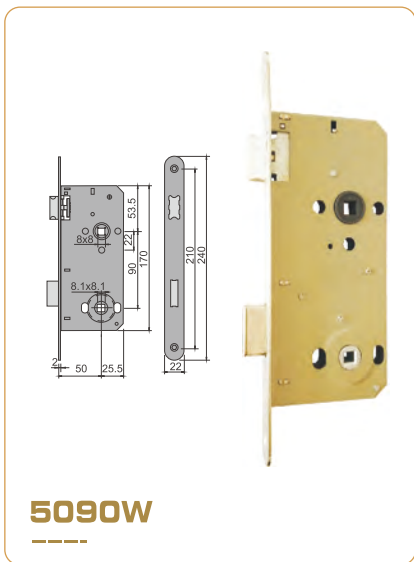
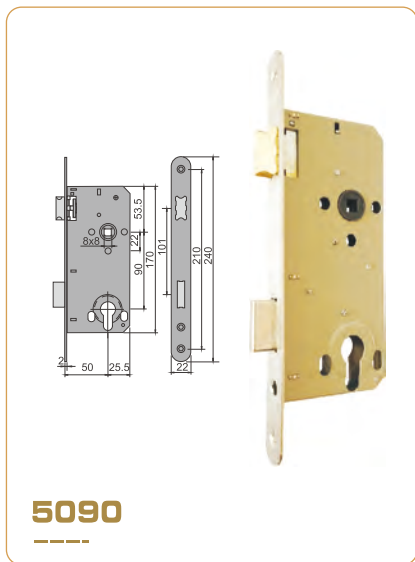
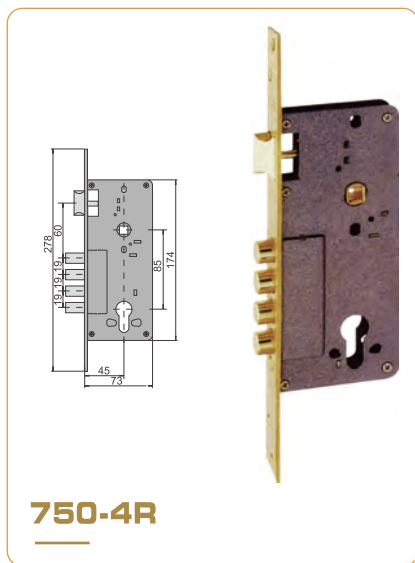
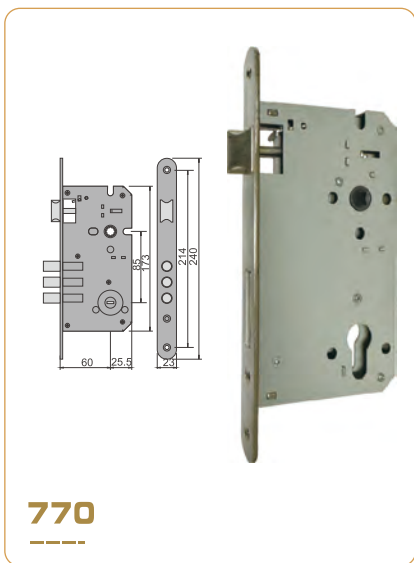
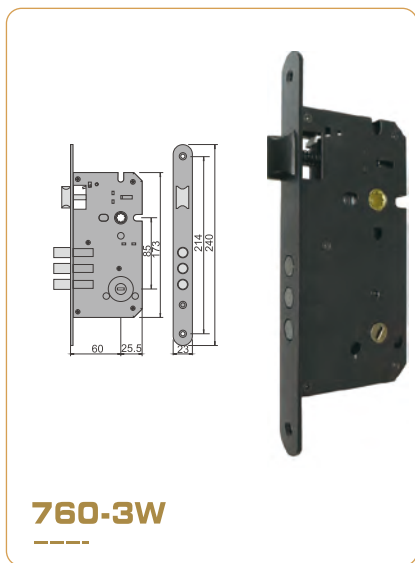
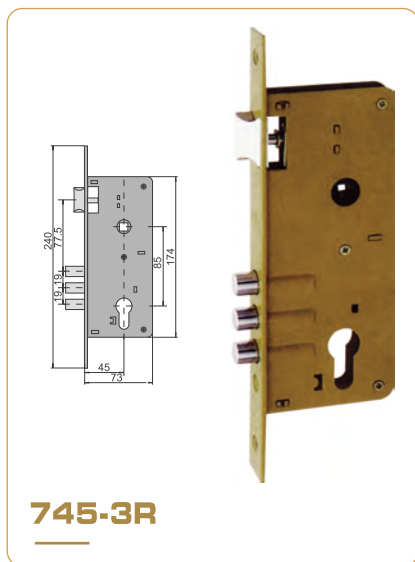
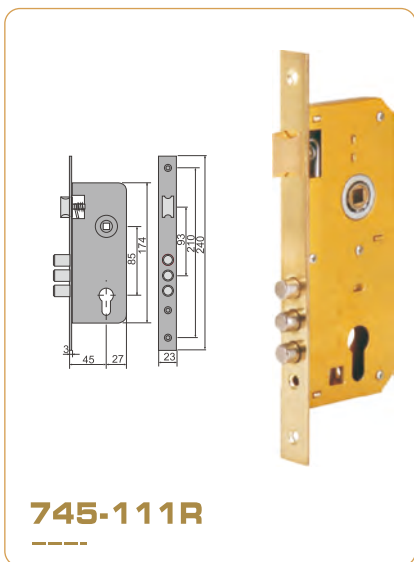
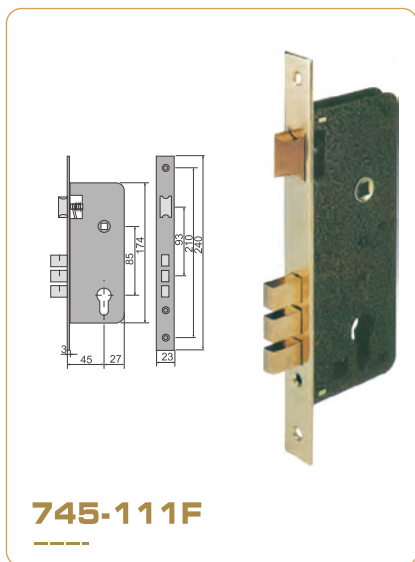
# Cylinder handle

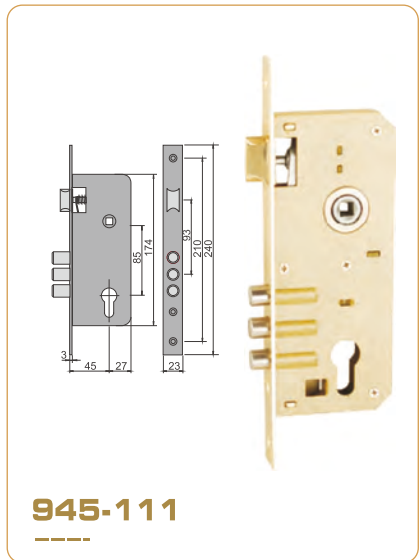
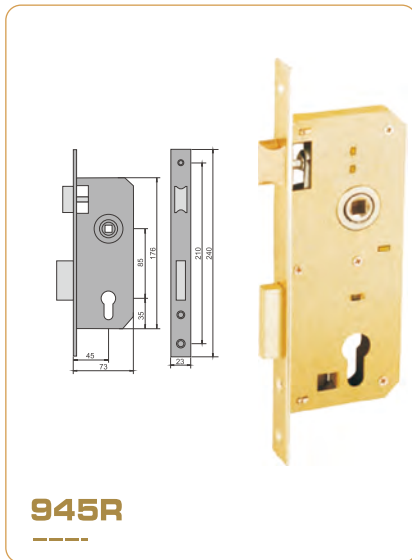
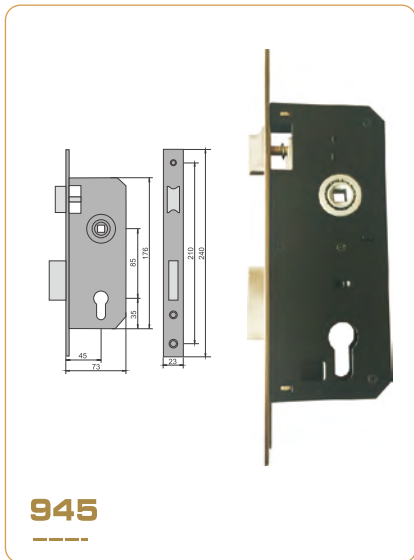
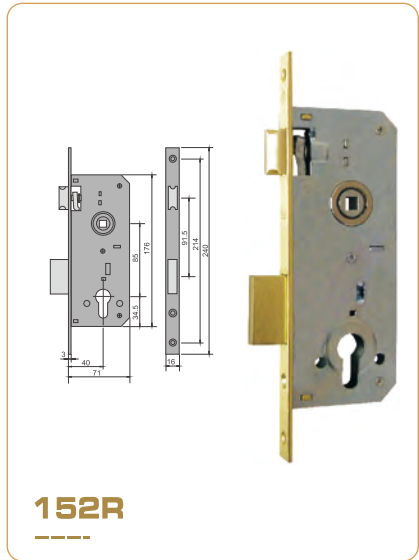
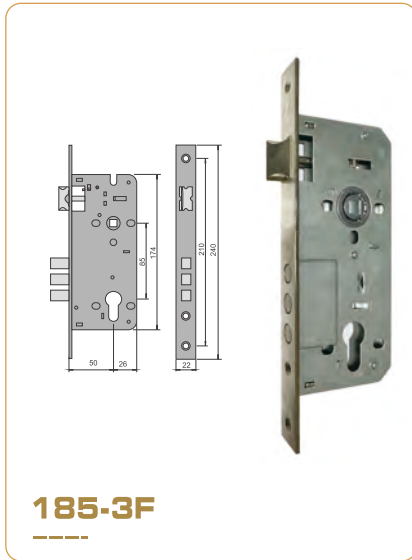
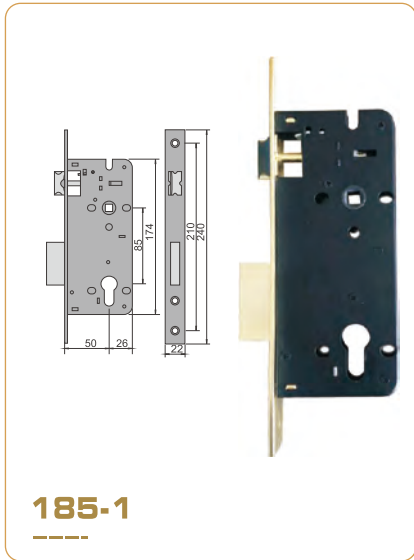
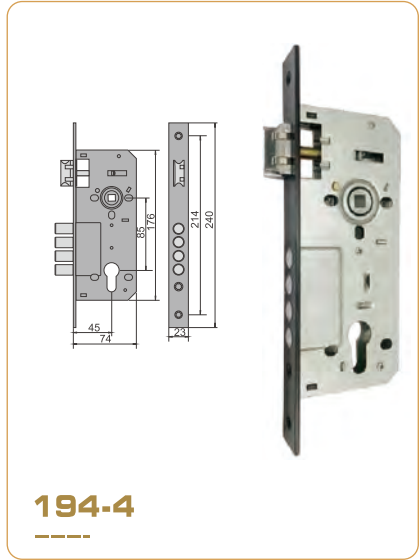
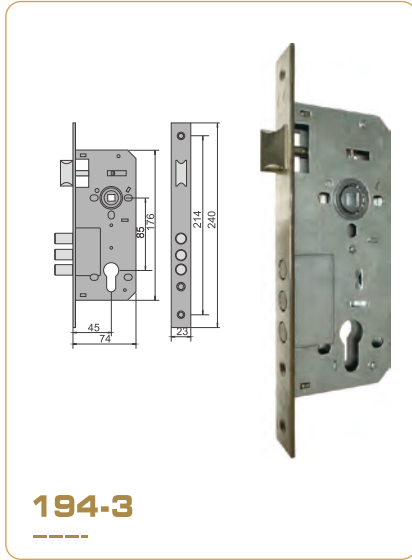
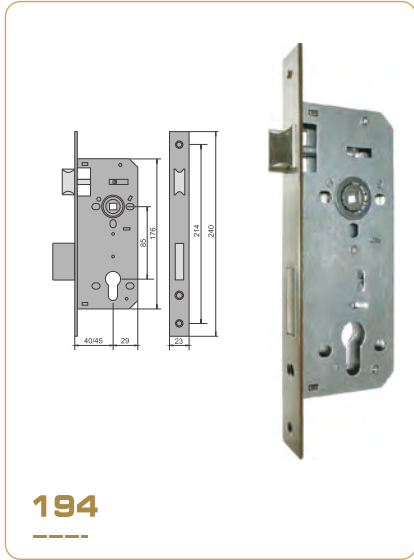


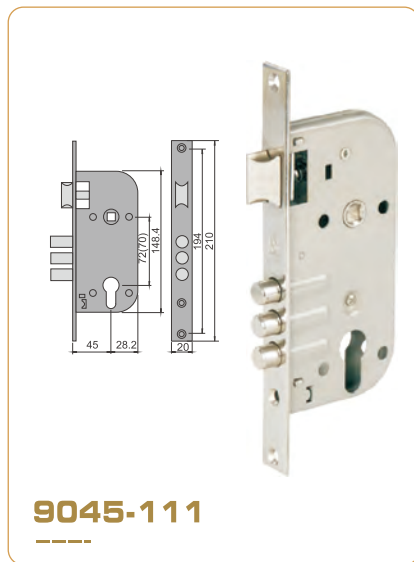
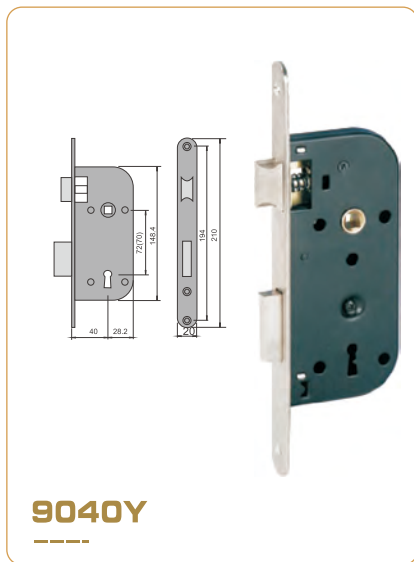
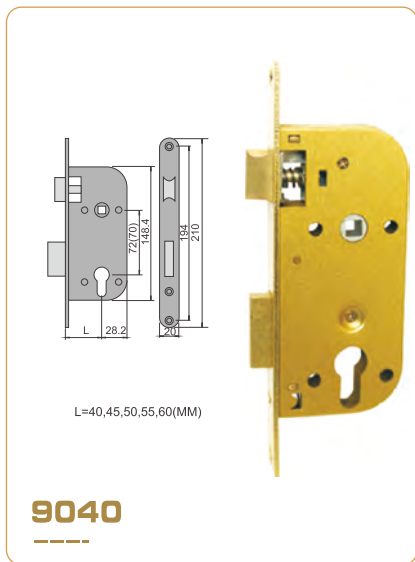
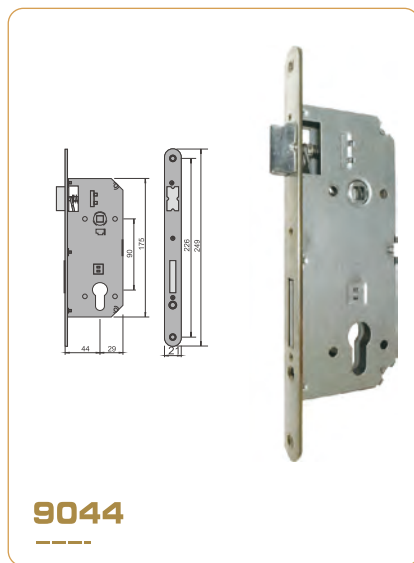
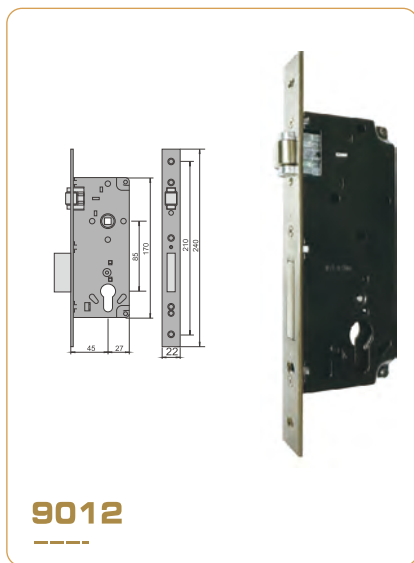
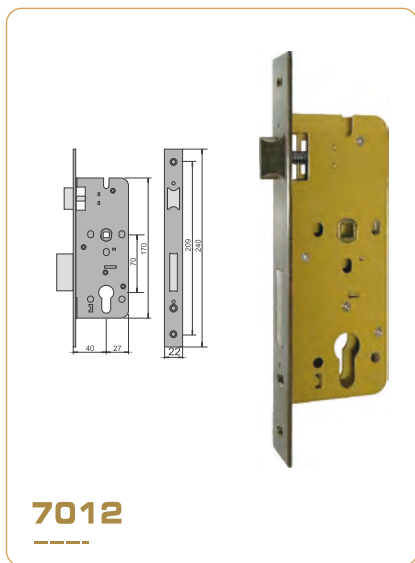
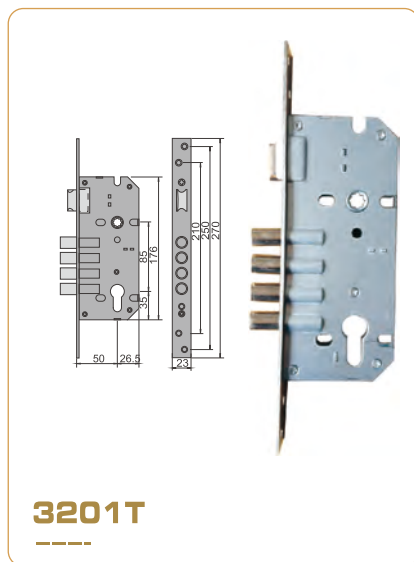
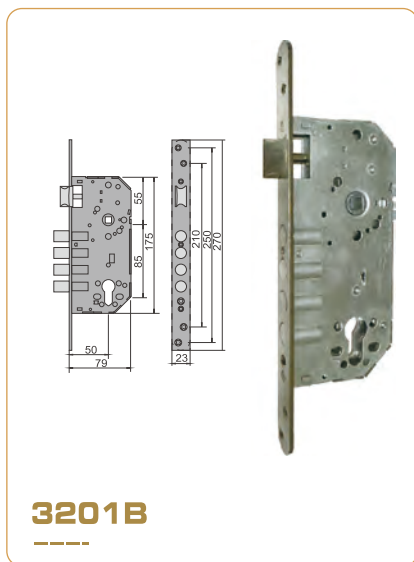
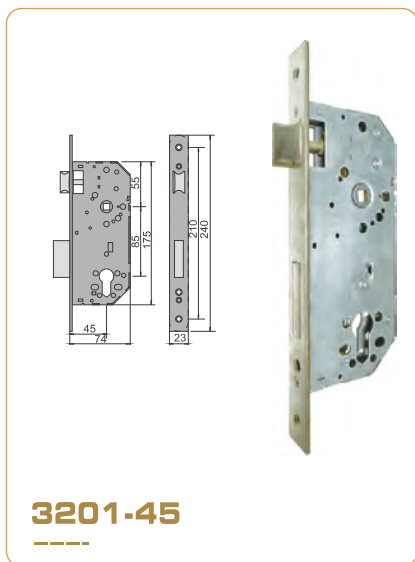






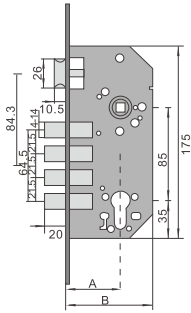






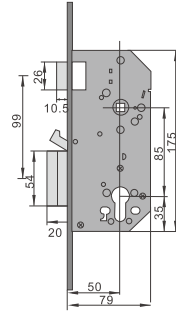


## FR2000A



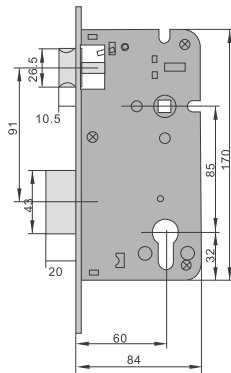
- Backset: 50mm, 60mm
- $\varnothing$  8x8mm
- Plate finishing: SS, BB, BP, SB
- Security escutcheons are available

## FR200



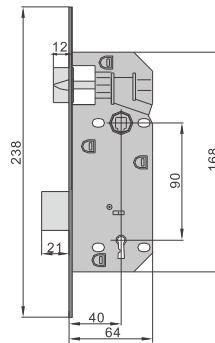
- Backset: 50mm
- $\varnothing$  8x8mm
- Plate finishing: SS, BB, BP, SB
- Security escutcheons are available

## F790-60



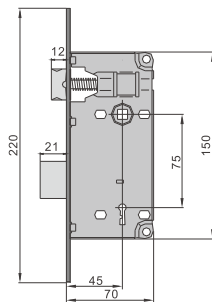
- Backset: 60mm
- $\varnothing$  8x8mm
- Plate finishing: BB, BP, SB

## F3090



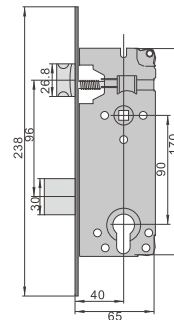
- Backset: 40mm
- $\varnothing$  8x8mm
- 2 keys with 6 differs
- Plate finishing: SN, BP, CP

## F3075



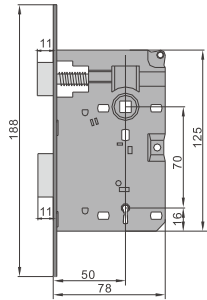
- Backset: 45mm
- $\varnothing$  8x8mm
- 2 keys with 6 differs
- Plate finishing: SN, BP, CP

## F249C



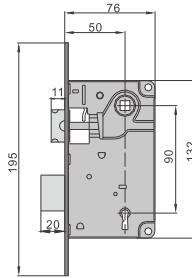
- Backset: 40mm
- $\varnothing$  8x8mm
- Plate finishing: SN, BP, CP

**F66460**



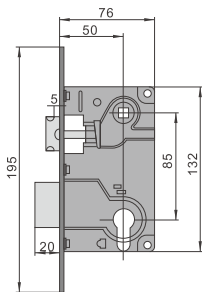
- Backset: 50mm
- $\varnothing$  8x8mm
- 2 keys with 6 differs
- Plate finishing: SN, BP, CP, etc

**F9171K**



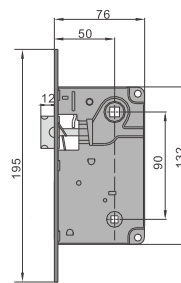
- Backset: 50mm
- $\varnothing$  8x8mm
- 1 keys
- Plate finishing: SN, BP, CP, AB

**F9171C**



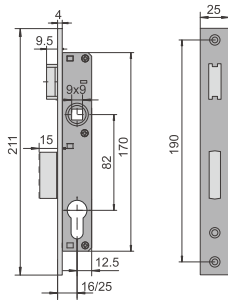
- Backset: 50mm
- $\varnothing$  8x8mm
- Plate finishing: SN, BP, CP, AB

**F9171B**



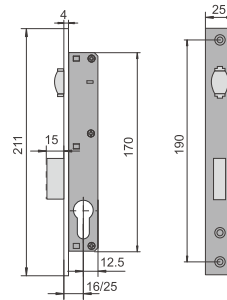
- Backset: 50mm
- $\varnothing$  8x8mm  $\varnothing$  6x6mm
- Plate finishing: SN, BP, CP, AB

**3001**



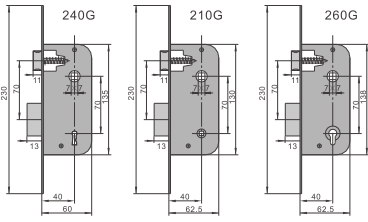
- Backset: 16/25mm
- $\varnothing$  8x8mm
- Plate finishing: AB, SILVER

**3002**



- Backset: 16/25mm
- $\varnothing$  8x8mm
- Plate finishing: AB, SILVER

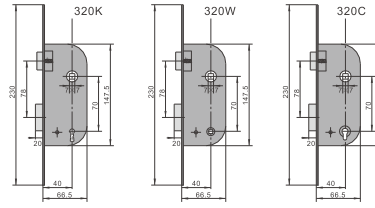
## F240G



- Backset: 40mm
- $\varnothing$  7x7mm
- With zinc alloy big dead bolt
- 2 keys with 6 differs, cylinder hole, bathroom hole available
- Body color: White, ZY, Chromatic



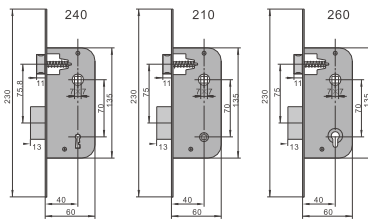
## F320



- Backset: 40mm
- $\varnothing$  7x7mm
- Key hole, cylinder hole, bathroom hole available
- Plate finishing: BP, ZY, BB etc
- Body color: Black, ZY, Chromatic



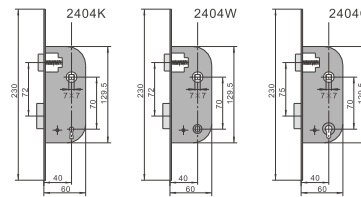
## F240



- Backset: 40mm
- $\varnothing$  7x7mm
- With steel dead bolt
- 2 keys with 4 differs, cylinder hole, bathroom hole available
- Body color: White, ZY, Chromatic



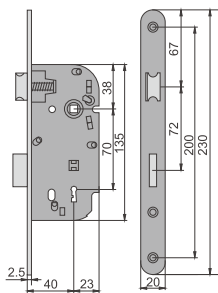
## F32404



- Backset: 40mm
- $\varnothing$  7x7mm
- With zinc alloy big dead bolt
- 2 keys with 48 differs, cylinder hole, bathroom hole available
- Body color: White, ZY, Chromatic



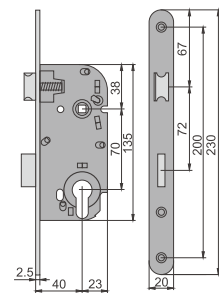
## Z240



- Backset: 50mm
- $\varnothing$  7x7mm
- Plate finishing: Sn
- Body color: ZP



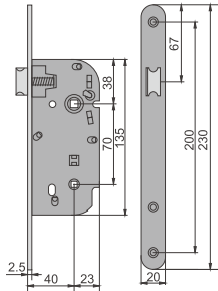
## Z260



- Backset: 50mm
- $\varnothing$  7x7mm
- Plate finishing: Sn
- Body color: ZP

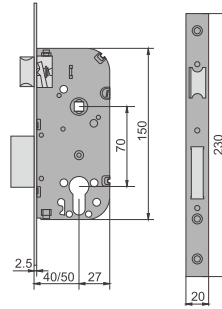


**Z210**



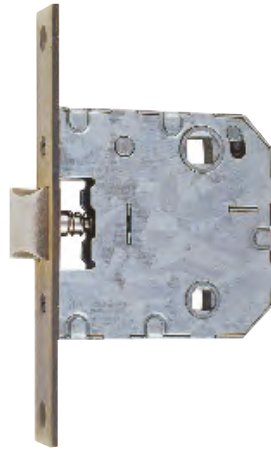
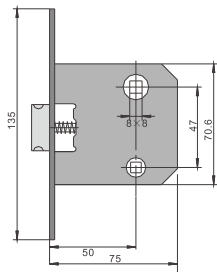
- Backset: 50mm
- $\varnothing$  7x7mm
- Plate finishing: Sn
- Body color: ZP

**0840/0850**



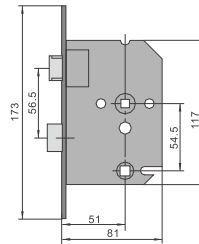
- Backset: 40mm/50mm
- $\varnothing$  7x7mm
- Plate finishing: Sn
- Body color: ZP

**F6134**



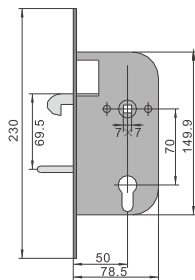
- Backset: 50mm
- $\varnothing$  8x8mm  $\varnothing$  6x6mm
- Plate finishing: SS, AB, BP, SB CP etc

**F1264W**



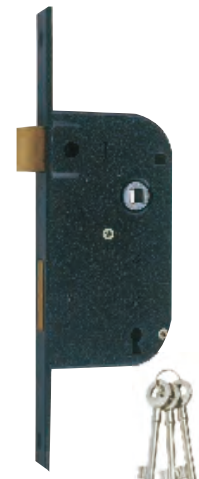
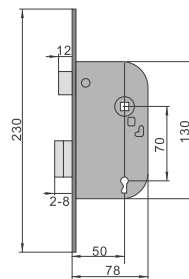
- Backset: 51mm
- $\varnothing$  8x8mm  $\varnothing$  6x6mm
- Plate finishing: SN, BP, CP, AB

**F310N**



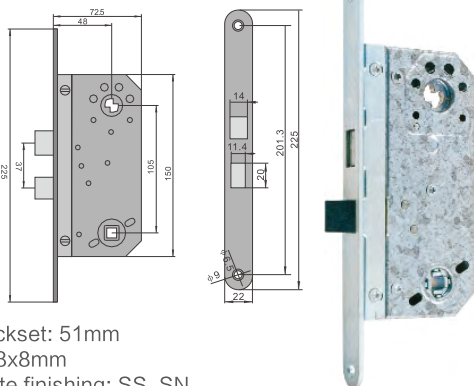
- Backset: 50mm
- $\varnothing$  7x7mm
- Plate finishing: BP, ZP, BB etc
- Body color: Black, ZY

**F219**



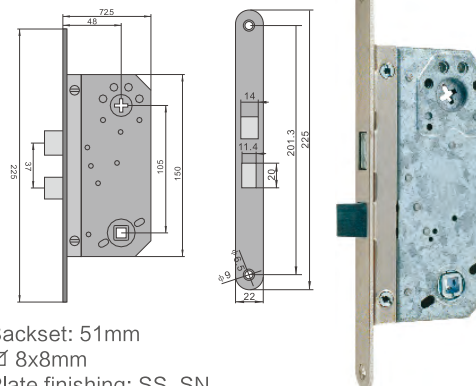
- Backset: 50mm
- $\varnothing$  7x7mm
- 3 keys with 12 differs
- Body color: Black, ZY

## F565



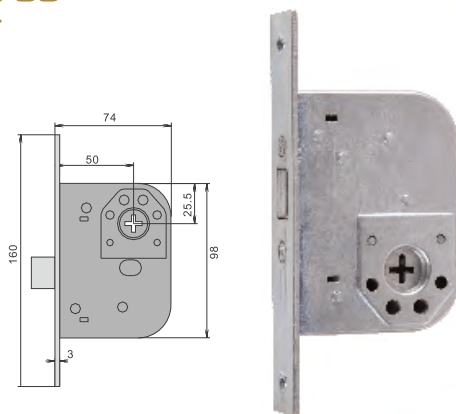
- Backset: 51mm
- $\varnothing$  8x8mm
- Plate finishing: SS, SN
- Body color: Galvanized

## F8765



- Backset: 51mm
- $\varnothing$  8x8mm
- Plate finishing: SS, SN
- Body color: Galvanized

## F8788

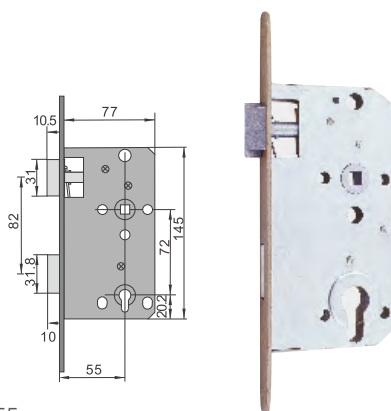


## AN701



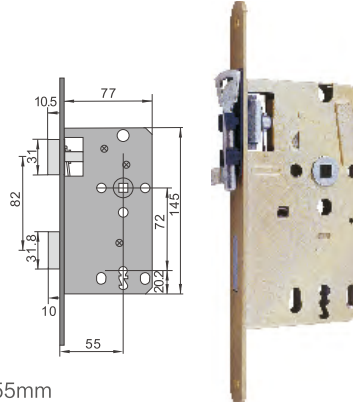
- Cylinder 7 pins for mortise lock ref. 565 with 3 keys or 5 keys
- Finishing: CP&BB

## F7255



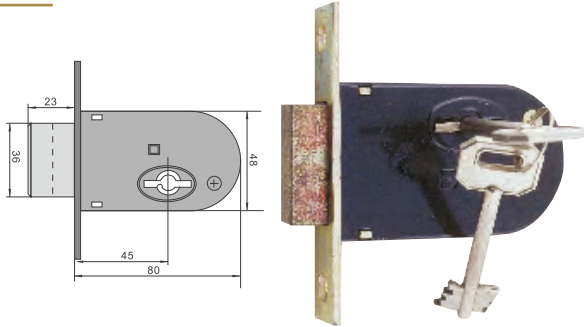
- Backset: 55mm
- $\varnothing$  8x8mm

## F7255K



- Backset: 55mm
- $\varnothing$  8x8mm
- 1 key

**F700**



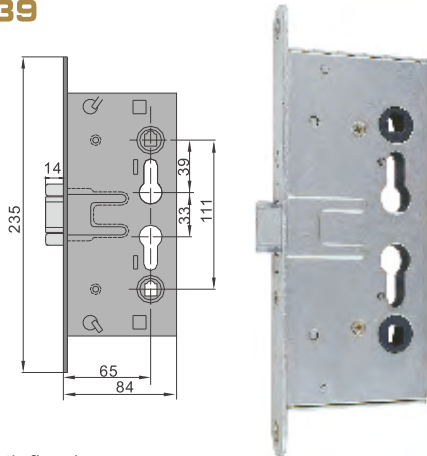
- Backset: 45mm
- 2 keys

**F156F**



- Backset: 45mm
- 5 cross keys

**F1739**



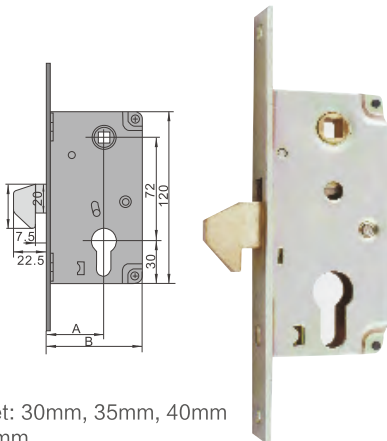
- For Anti-fire door

**F002**



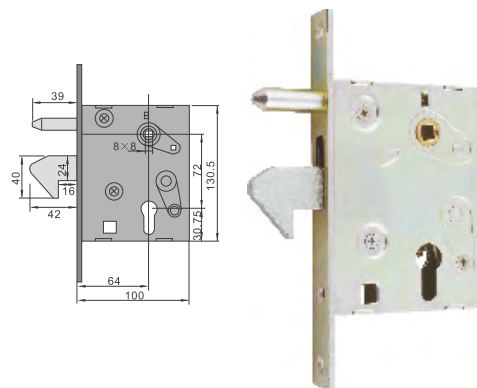
- For Anti-fire door

**F30**



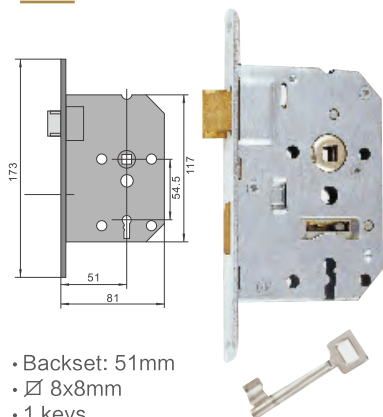
- Backset: 30mm, 35mm, 40mm
- $\varnothing$  8x8mm
- Body color: ZY

**CC001**



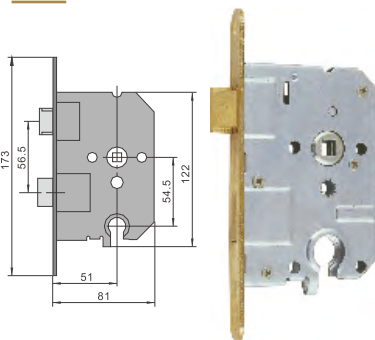
- $\varnothing$  8x8mm
- Body color: ZY

## F1265



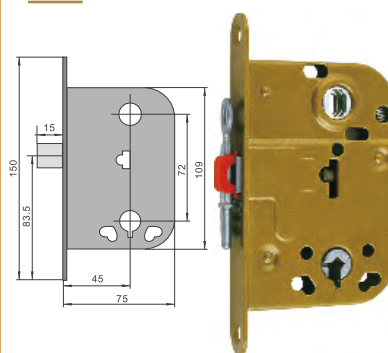
- Backset: 51mm
- $\varnothing$  8x8mm
- 1 keys
- Plate finishing: SN, BP, CP, AB

## F1269W



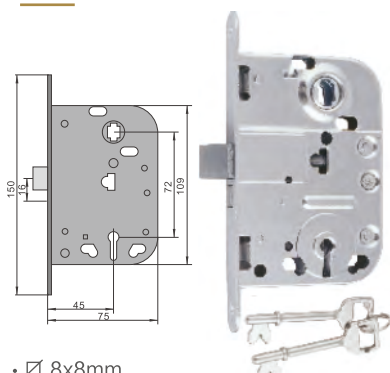
- Backset: 51mm
- $\varnothing$  8x8mm
- Plate finishing: SN, BP, CP, AB

## F2014



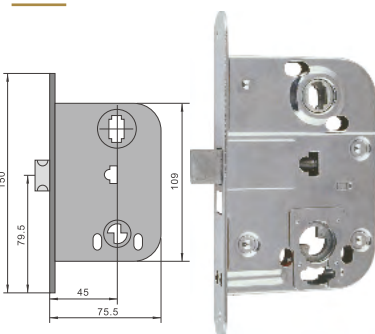
- $\varnothing$  8x8mm
- Body color: Brown, ZP, BP, White, CP
- 1 key
- All kinds of striker available

## F2011



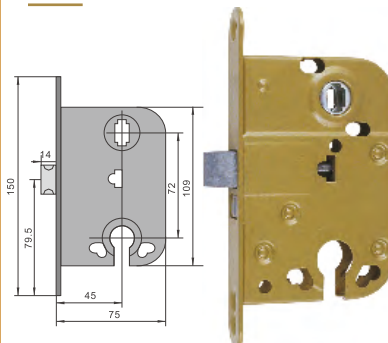
- $\varnothing$  8x8mm
- Body color: Brown, ZP, BP, White, CP
- 2 key
- All kinds of striker available

## F2016



- $\varnothing$  8x8mm
- Body color: Brown, ZP, BP, White, CP
- All kinds of striker available

## F2018



- $\varnothing$  8x8mm
- Body color: Brown, ZP, BP, White, CP
- All kinds of striker available

## 8550C



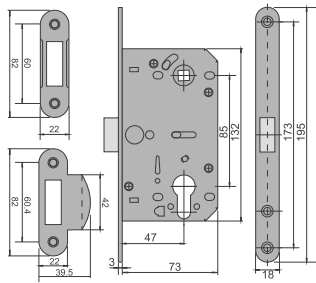
## 9050B



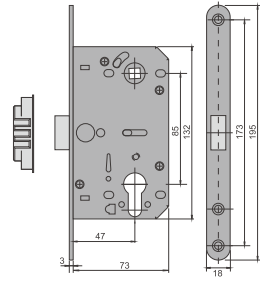
## 9050K



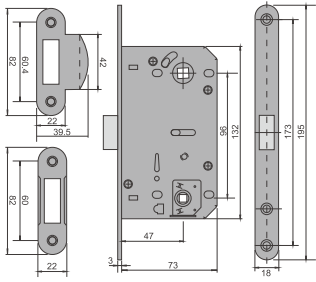
600



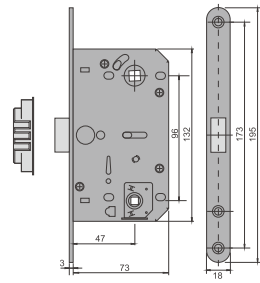
600M



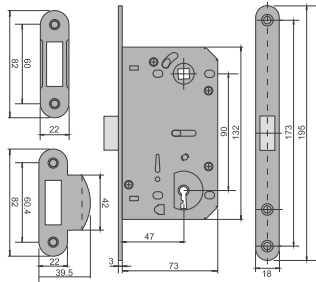
600W



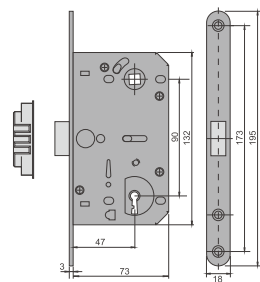
600W-M



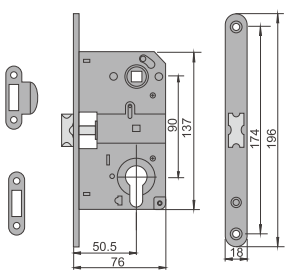
600Y



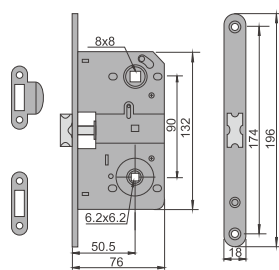
600Y-M



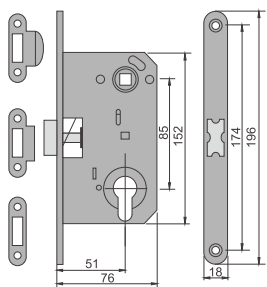
### 385



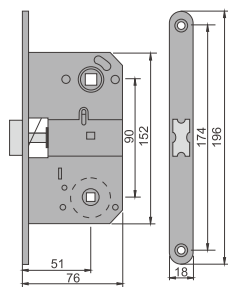
### 390



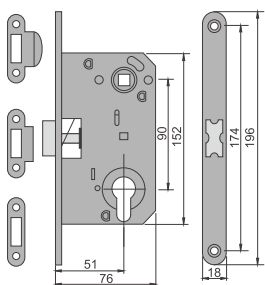
### M85C



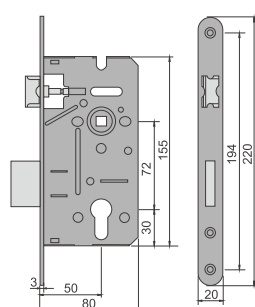
### M90B



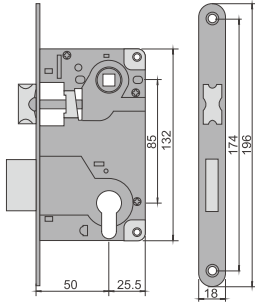
### M90C



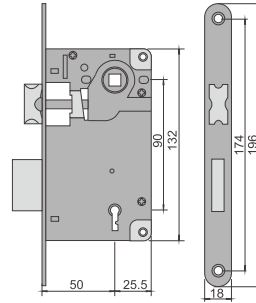
### 2279



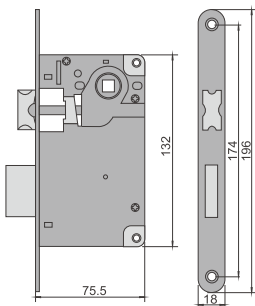
9171



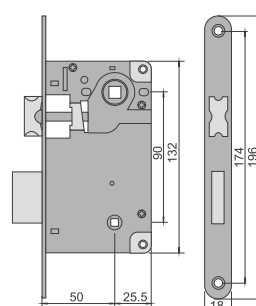
9171Y



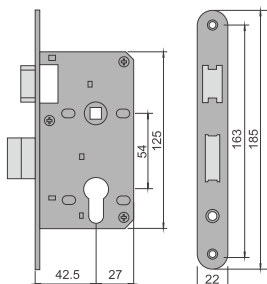
9171T



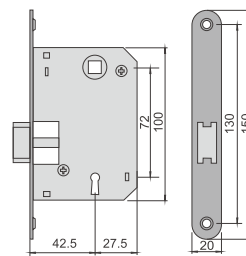
9171W



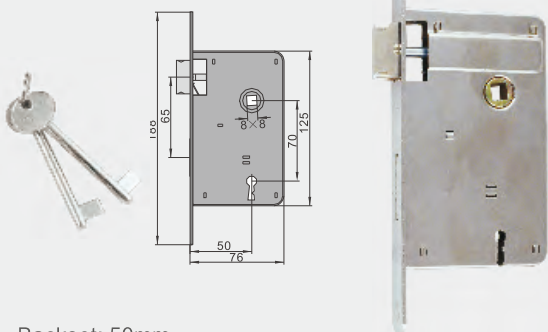
V5040



V7240

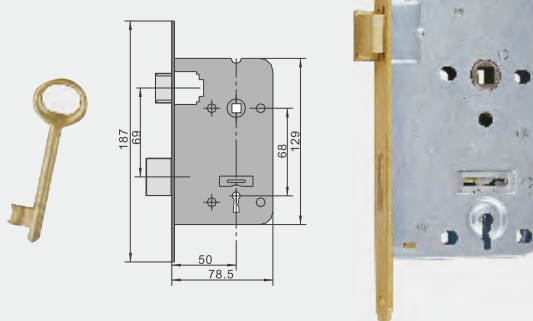


## F600



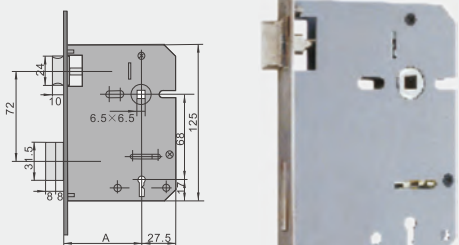
- Backset: 50mm
- $\varnothing$  8x8mm
- 2 Keys

## FM255



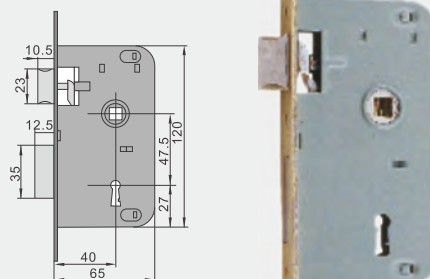
- Backset: 50mm
- $\varnothing$  7x7mm
- 2 Keys

## F716



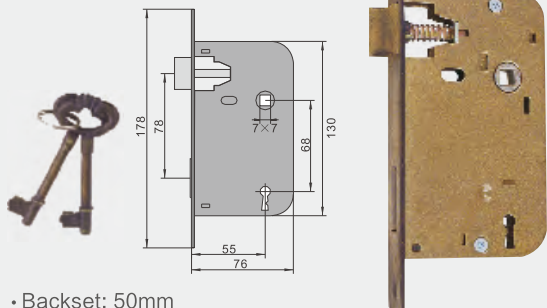
- Backset: 50mm, 55mm, 60mm
- $\varnothing$  8x8mm  $\varnothing$  6.5x6.5mm
- Plate finishing: AB, AC, BP, SB
- 2 Keys

## F3881



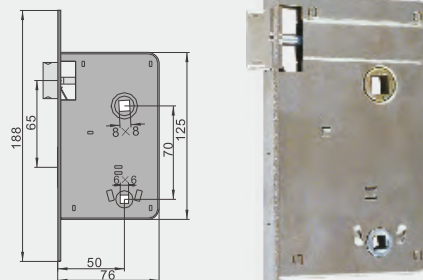
- Backset: 40mm
- $\varnothing$  8x8mm
- 2 Keys

## F715



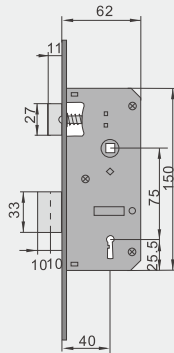
- Backset: 50mm
- $\varnothing$  7x7mm
- Plate finishing: AB, AC, BP, SB
- 2 Keys

## F600BK



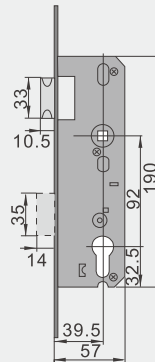
- Backset: 50mm
- $\varnothing$  8x8mm  $\varnothing$  6x6mm

**F253**



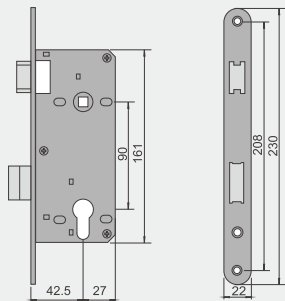
- Backset: 40mm
- $\varnothing$  8x8mm
- 2 Keys

**F9510**

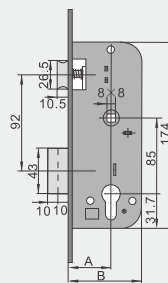


- Backset: 35mm
- $\varnothing$  8x8mm

**V9040**

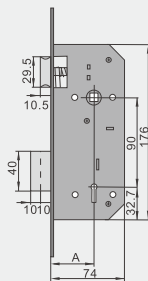


**F8918**



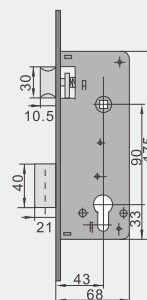
- Backset: 40mm, 45mm
- $\varnothing$  8x8mm
- Plate finishing: BP, Painted

**F9043B**



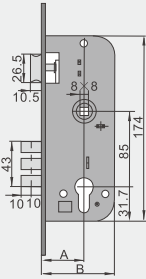
- Backset: 43mm, 45mm
- $\varnothing$  8x8mm
- Plate finishing: BP, Painted
- 2 keys

**F101**



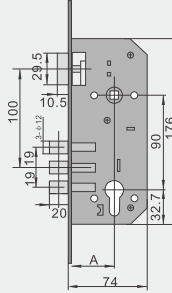
- Backset: 43mm
- $\varnothing$  8x8mm
- Plate finishing: BP, Painted

## F8918C



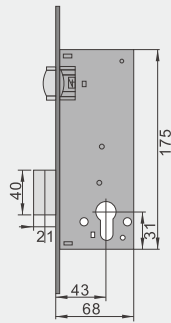
- Backset: 40mm, 45mm
- $\varnothing$  8x8mm
- Plate finishing: BP, Painted

## F9043C



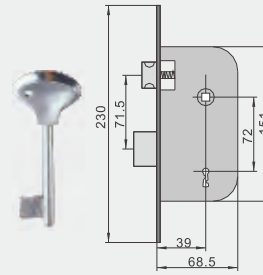
- Backset: 43mm, 45mm
- $\varnothing$  8x8mm
- Plate finishing: BP, Painted

## F101.1T



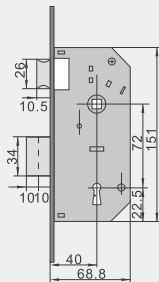
- Backset: 43mm
- RoLLer latch
- Plate finishing: BP, Painted

## F4072



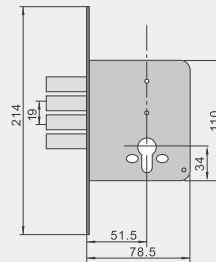
- Backset: 40mm
- $\varnothing$  8x8mm
- Plate finishing: BP, CP
- 2 keys

## F272



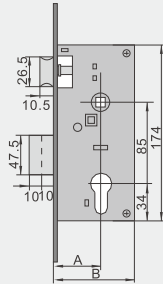
- Backset: 40mm
- $\varnothing$  8x8mm
- Plate finishing: BP, CP
- 2 keys

## F9004



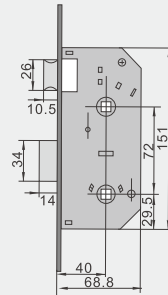
- Backset: 50mm
- Plate finishing: BP, CP

**F282B**



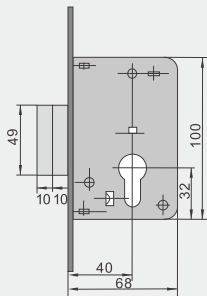
- Backset: 40mm, 45mm
- $\varnothing$  8x8mm
- Plate finishing: BP, CP

**F272B**



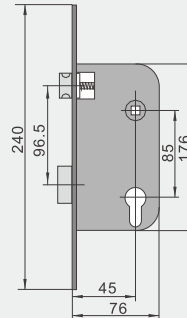
- Backset: 40mm
- $\varnothing$  8x8mm
- Plate finishing: BP, CP

**F9016B**



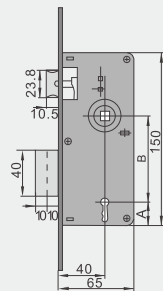
- Backset: 40mm
- Plate finishing: BP, CP

**F8945R**



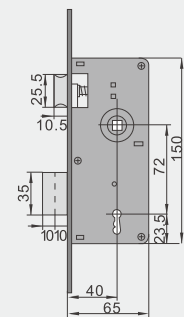
- Backset: 45mm
- $\varnothing$  8x8mm
- Plate finishing: BP

**F9010**

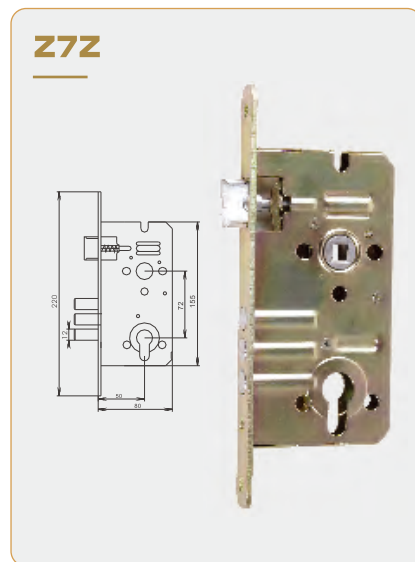
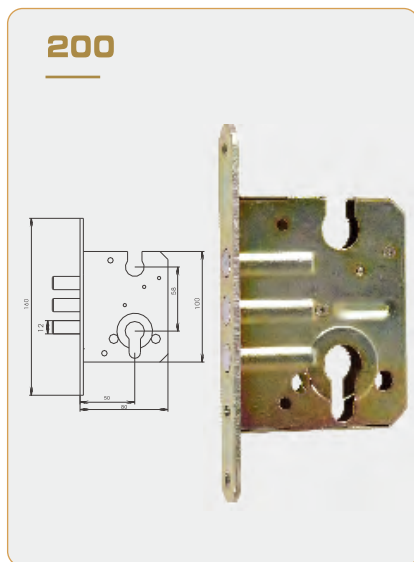
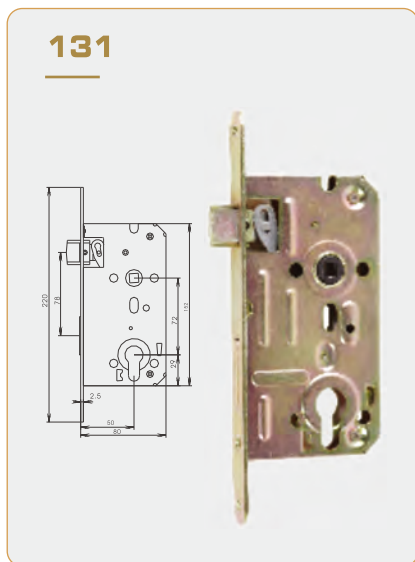
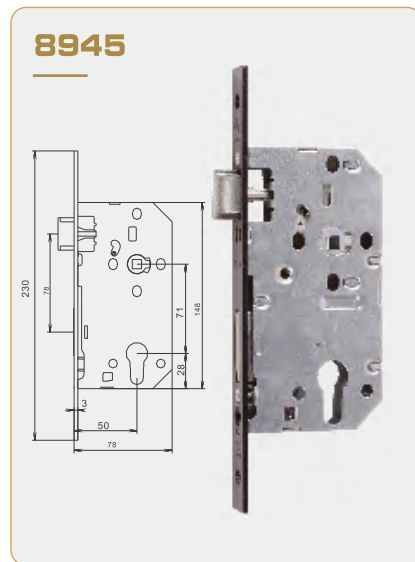
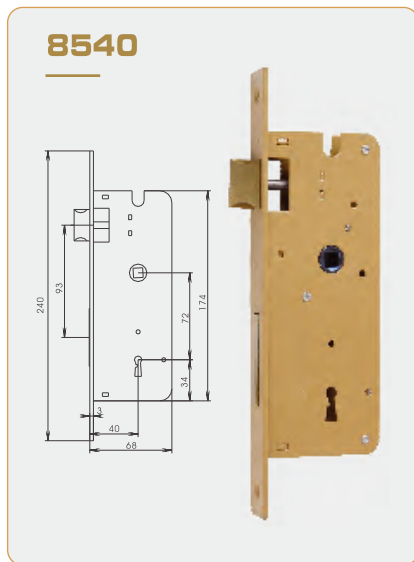
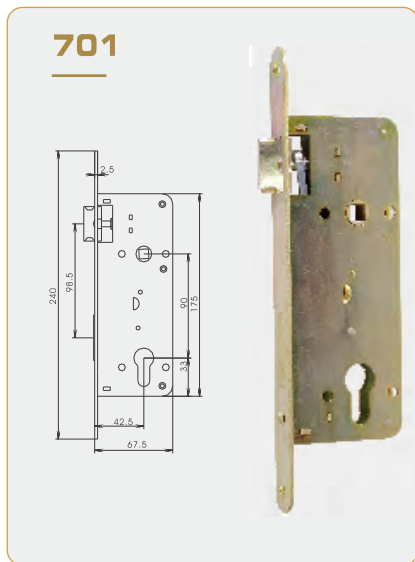
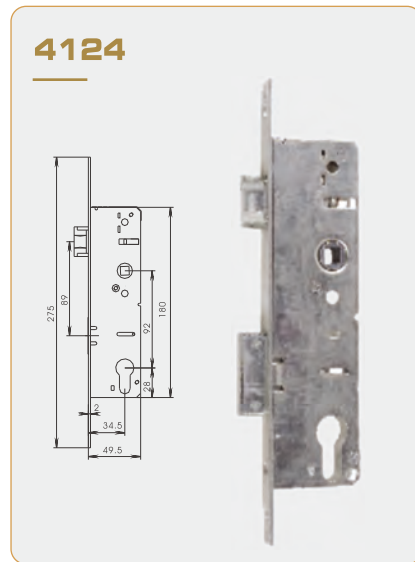
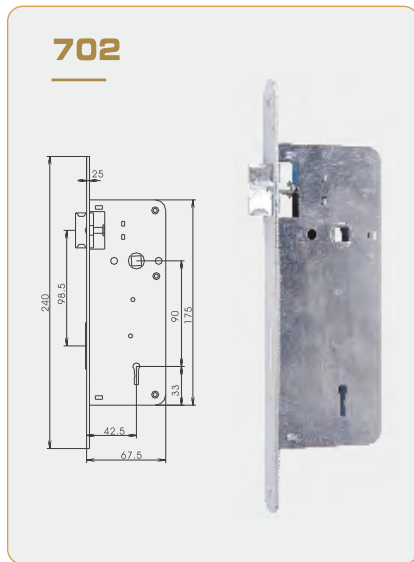
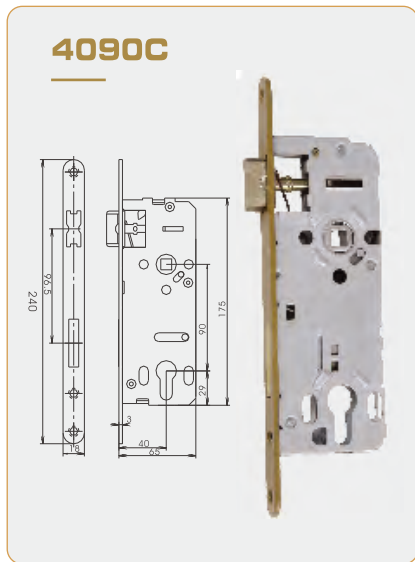


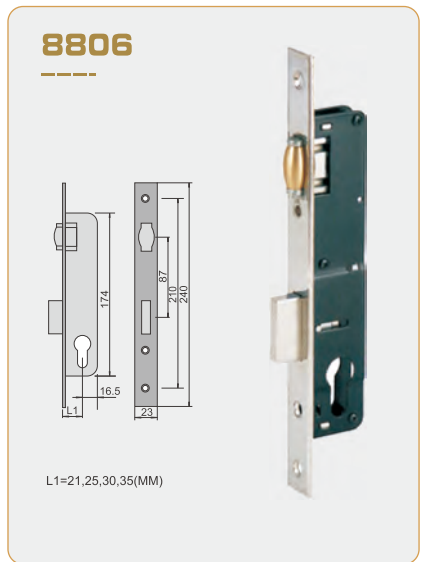
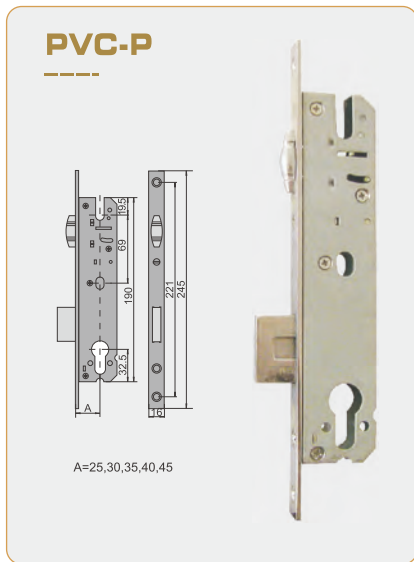
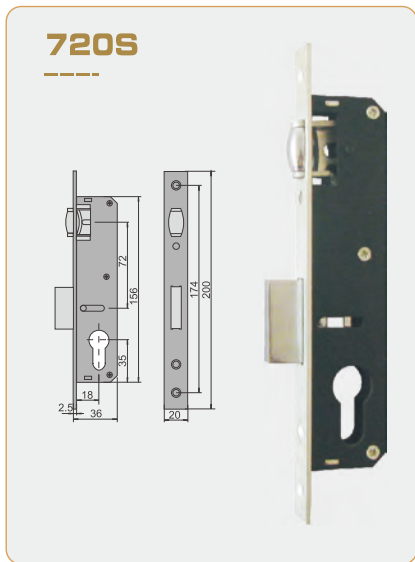
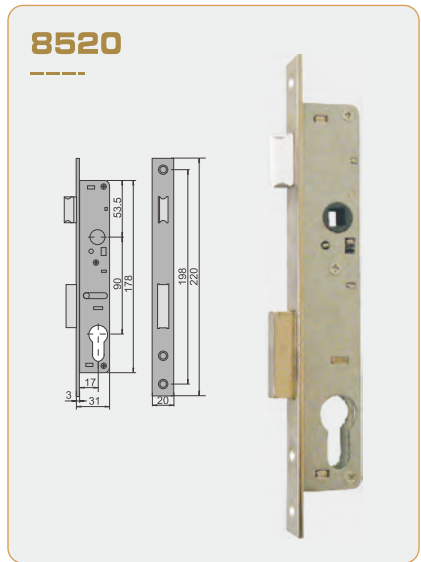
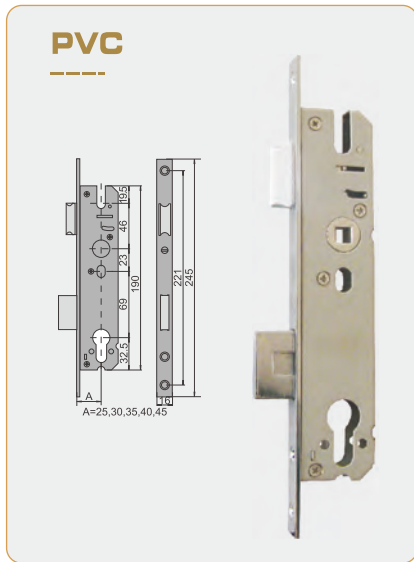
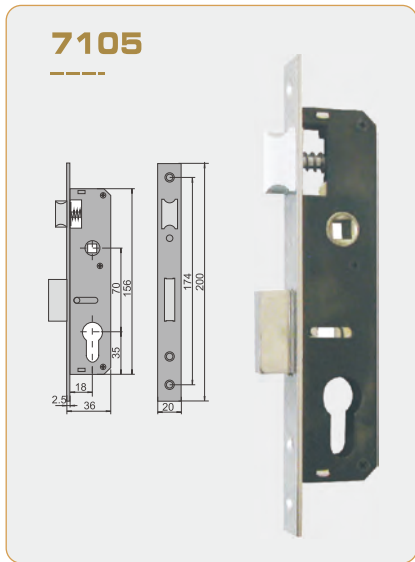
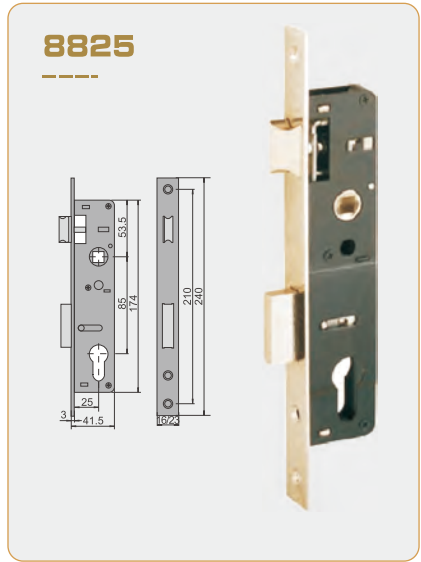
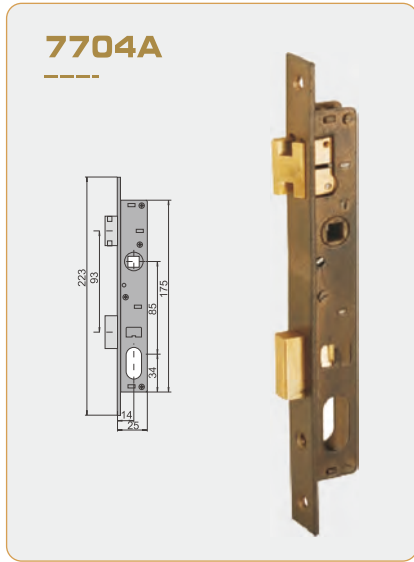
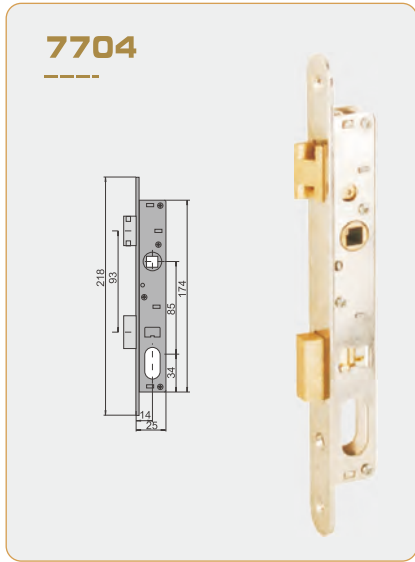
- Backset: 40mm
- $\varnothing$  8x8mm
- Plate finishing: BP
- 2 keys

**F9101ZF**

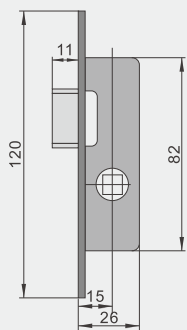


- Backset: 40mm
- $\varnothing$  8x8mm
- Plate finishing: BP
- 2 keys



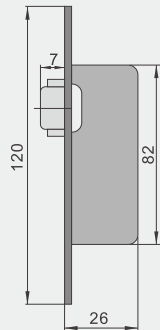


## F1501



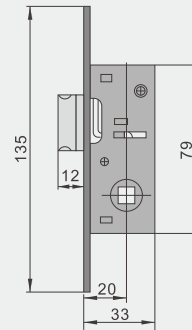
- Chrome color
- $\varnothing$  8x8mm

## F1502



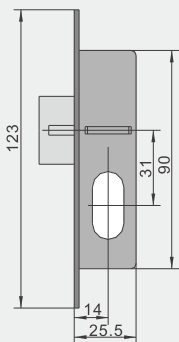
- Chrome color

## F1503



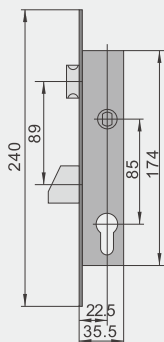
- Chrome color
- $\varnothing$  8x8mm

## F117



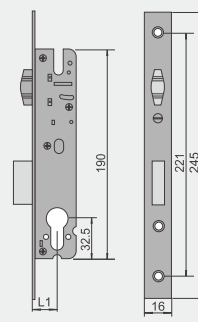
- Chrome color

## F2210



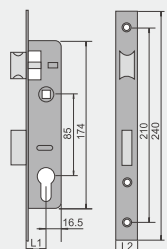
- Backset: 20mm, 25mm
- $\varnothing$  8x8mm
- Plate finishing: SN, CP, SS

## 8805G-P



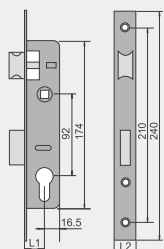
L1=25,30,35,40,45(MM)

## 8805



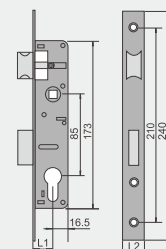
L1=21,25,30,35(MM)  
L2=16,23(MM)

## 8805-92



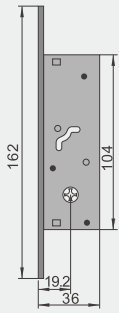
L1=21,25,30,35(MM)  
L2=16,23(MM)

## 8805G



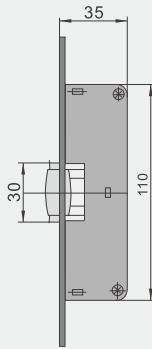
L1=21,25,30,35(MM)  
L2=16,23(MM)

**F6300**



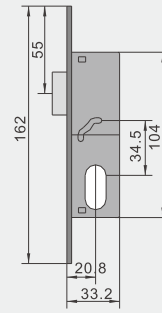
- Backset: 20mm
- Plate finishing: SN, CP, SS
- 3 Cross keys

**F155B**



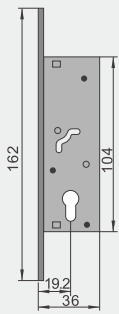
- Plate finishing: SN, CP, SS

**F1684G**



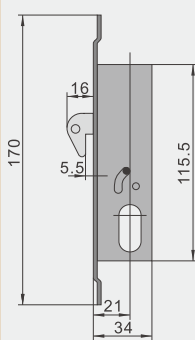
- Backset: 20mm
- Plate finishing: SN, CP, SS

**F2001-3**



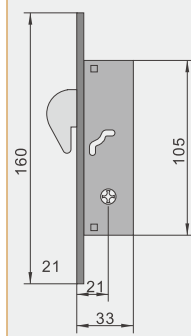
- Backset: 30mm
- Plate finishing: SN, CP, SS

**F4230**



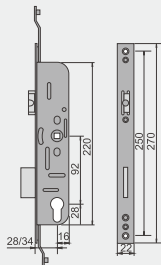
- Backset: 20mm
- Plate finishing: SN, CP

**F1684C**

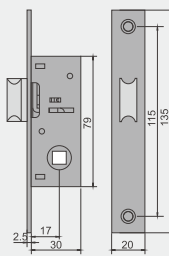


- Backset: 20mm
- Plate finishing: SN, CP, SS
- 3 Cross keys

**LDS**



**650-1**



**9013**





**T123**

**401**

**CSMT**

• Plate finishing: SN, CP, SS  
•  $\square$  8x8mm

**100M**

• Plate finishing: SN, CP, SS  
•  $\square$  8x8mm

**550**

**550E**

**101BK**

**101CY**

**HANDLE LOCK**

# Mortise locksets



**7011-40-0202**



**7036-3RB-125**



**7036-3RB-126**



**7027-1905**



**7037B-127**



**2047-127**



**7011-40-3041**



**7029-0303**



**7032-HL0301**



**A**

COLOUR BOX



**B**

SLIDE CARD



**C**

BLISTER CARD



**D**

DOUBLE BLISTER

## Brackets

### NORMAL TYPE SHELF BRACKET



SIZE	QTY (D.Pair)	MEAS(cm)	GW/NW (KG)
3"x4"x0.6mm	12	27x22x23.5	8/7
4"x5"x0.6mm	12	35x23.5x28	9/8
5"x6"x0.6mm	12	38.5x23x28	12/11
6"x8"x0.6mm	12	44x28x28	15/14
8"x10"x0.7mm	6	33x28x29	13/12
10"x12"x0.8mm	6	38.5x33.5x32	20/18
12"x14"x0.8mm	5	42.5x39x29	22/19

### EURO TYPE SHELF BRACKET



SIZE	QTY (D.Pair)	MEAS(cm)	GW/NW (KG)
3"x4"x0.6mm	12	27x22x23.5	9/7
4"x5"x0.6mm	12	35x23.5x28	11/9
5"x6"x0.6mm	12	38.5x23x28	14/12
6"x8"x0.6mm	12	44x28x28	20/18
8"x10"x0.7mm	6	33x28x29	21/19
10"x12"x0.8mm	6	38.5x33.5x32	22/20
12"x14"x0.8mm	5	42.5x39x29	26/24
14"x16"x0.8mm	4	51x45x26	25/23

### HEAVY DUTY SHELF BRACKET



SIZE:  
150x200J200x250J  
200x275J200x300J  
250x400J330x500mm

### COLOR: GRAY, WHITE, BLACK, BROWN, SILVER GRAY



## Concealed hinge

### Short Straight Hinge



### Long Straight Hinge



### Short Cranked Hinge



### Long Cranked Hinge



**A TYPE**



3", 4", 5", 6"

**AMERICAN TYPE**



5-3/4", 6-1/2"

**GD-P6A**



Chest Handle  
4" 300g  
42x20x18cm 17/16KG

**GD-P6B**



Chest Handle  
49x33x14mm  
38x30x26mm

**GD-P5UG**



**GD-P5CW**



**GD-P5D1N**



**GD-P5D2W**



**GD-P5OW**



**GD-P5LW**



**GD-P5FW**



**GD-P5GW**



**GD-P1059**



Hole Pitch: 96/128/160mm

**GD-P1022**



Hole Pitch: 64/96mm

**GD-P0110**



Hole Pitch: 64-160mm

**GD-P0905**



Hole Pitch: 64/96mm

**GD-P0804**



Hole Pitch: B/S

**GD-P0806**



Hole Pitch: B/S

**GD-P0509**



Hole Pitch: 96/128/160mm

**GD-P0508**



Hole Pitch: 64/96mm

**GD-P0505**



Hole Pitch: 64-160mm

**GD-P1053**



Hole Pitch: 128-224mm

**GD-P9006**



Hole Pitch: 64-160mm

**GD-P9000**



Hole Pitch: 64-160mm

**GD-P3828**



Hole Pitch: 96mm

**GD-P2911**



Hole Pitch: 64/128mm

**GD-P2810**



Hole Pitch: 64/96/128mm

**GDP-3842**



Hole Pitch: 96mm

**GDP-2819**



Hole Pitch: 96/128mm

**GDP-2906**



Hole Pitch: 96/110-160mm

**GD-P2502**



Hole Pitch: 64/96mm

**GD-P2501**



Hole Pitch: 64/96mm

**GD-P2602**



Hole Pitch: 64/96mm

**GDP-2811**



Hole Pitch: 64/96mm

**GD3830**



Hole Pitch: 96mm

**GDP-2709**



Hole Pitch: 64/96mm

## GDD1

### Common Drawer Slide

Items	Sizes(mm)
common slide	250
&	300
South America type	350
&	400
FGV Slide	450
&	500
Side Slide	550
	600

Thickness:  
0.8mm, 0.9mm, 1.0mm, 1.1mm, 1.2mm



## GDD2



### American type

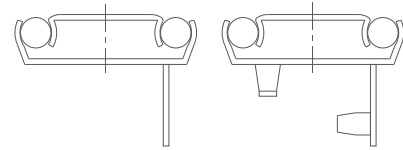
size: 12" —22"

## GDD3

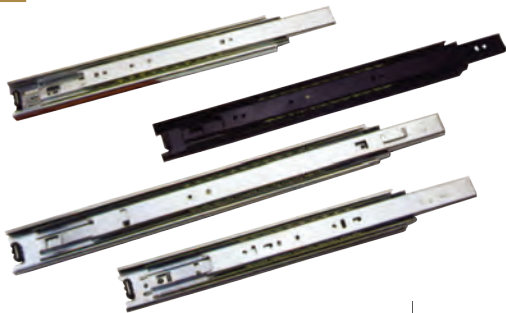


### Ball Sliding Rail-1

D11 35mm D12 35mm  
D11 40mm D12 40mm  
D11 45mm D12 45mm



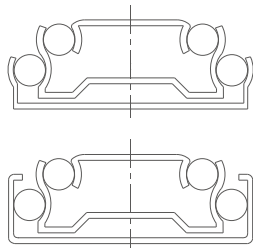
## GDD4



### Ball Sliding Rail-2

10", 12", 14", 16", 18", 20",  
22", 24", 26", 28"

45MM Sersal two-section  
steel ball sliding rail



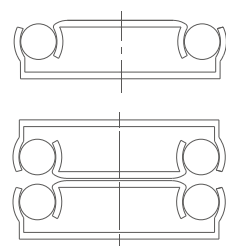
## GDD5



### Ball Sliding Rail-3

25mm, 30mm, 35mm, 40mm,  
45mm, 50mm, 55mm, 60mm

27MM Serial two-section  
steel ball sliding rail



**SCREW EYES**



1#	1.5x20		
4#	2.2x26	10#	3.5x41
6#	2.7x31	14#	4.5x50
8#	3.2x37	18#	5.7x64

**SCREW HOOKS**



1#	1.9x23		
2#	2.0x30	10#	3.8x70
4#	2.4x40	12#	4.25x80
6#	3.0x50	14#	4.85x90
8#	3.4x60	16#	5.3x100

**L HOOKS**



2.1, 2.4, 2.7, 3, 3.5, 4mm

**HOOKS & EYES**



1-1/2", 2", 2-1/2", 3"  
4", 5", 6", 8", 10", 12"

**DOUBLE ROLLER CATCHER**



**BED HINGE**



25, 30, 40, 50, 60, 80mm

**SLIDING BRACKET**



45 or 90 angle  
12", 16", 18", 20"

**CORNER BRACE**



20x20 25x25 30x30 38x38  
50x50 63x63 75x75 90x90  
125x125 150x150mm  
FINISH: ZP/BP

**BED JOINT**



5" 10 / 5" 1.2

## GDH1



### Square Iron Hinge

(Self color, Zinc plated, Brass plated)

Sizes: 2"x2" 2.5"x2.5" 3"x3" 3.5"x3.5" 4"x4"  
Thickness: 1.2, 1.4, 1.6, 1.8, 2.0, 2.4mm

## GDH2

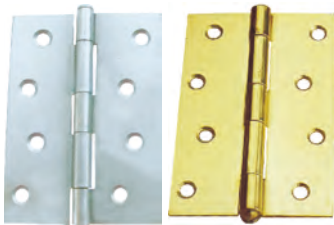
### Normal Iron Hinge



### Light Duty

Sizes: 1x0.7mm/1.5"x0.7mm/2"x0.8mm  
2.5"x0.8mm/3"x0.9mm/3.5"x0.9mm  
4"x1mm

## GDH3

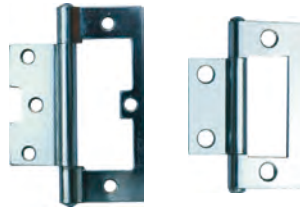


### Heavy Duty

(Self color, Zinc plated, Brass plated)

Sizes: 1.5"X1.2mm/2"X1mm/2"X1.2mm  
2.5 x 1.2mm/3"X1.4mm/3.5"X1.4mm  
4"X1.6mm/5"X1.9mm

## GDH4



### Flush Hinge

(Self color, Zinc plated, Brass plated)

Sizes: 38x30x1mm/50x37x1.25mm  
63.5x36x1.4mm/75x47.5x1.7mm  
75x47.5x1.7mm/89x53.5x1.8mm  
89x74x1.8mm/89x77x1.8mm/100x69x1.8mm  
102x89x2.5mm/102x93x2.7mm

## GDH5



### H type Hinge

(Self color, Zinc plated, Brass plated, Black japanned)

Length: 80--160mm  
Width: 46.5--60mm  
Thickness: 1.2--2.5mm

## GDH6



US Market

Euro Market

Heavy duty

Light duty

### T Type Hinge

Sizes: 3", 4", 5", 6", 8", 10", 12", 14", 16", 20"  
Light duty, Middle duty, Heavy duty available

## GDH7



### Round Corner Square Hinge

Sizes: 2.5"x2.5", 3"x3", 3.5"x3.5", 4"x4"

**GDH8**



A type

B type

C type

with bearing  
100x75x2.5mm  
75x63x2.5mm

**Lift-off Hinge**

63.5x42x1.2mm, 75x50x1.3mm, 30x40x1.1mm, 40x50x1.2mm, 80x45x1.5mm  
120x68x1.5mm, 120x68x2mm, 120x87x1.5mm, 120x87x2mm

**GDH9**



**Self-closing hinge**

(Self color, Zinc plated, Brass plated)

Size: 70x1.2mm, 70x50x1.2mm,  
70x50x41.3x1.6mm, 70x50x38.5x1.4mm

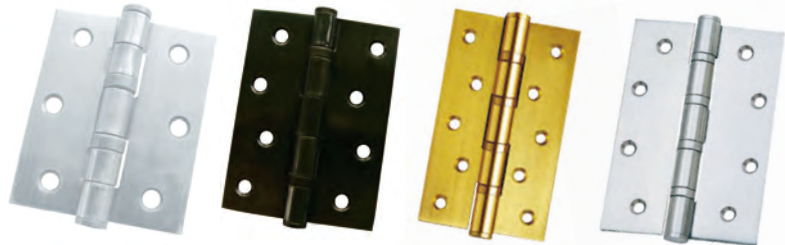
**GDH10-2**



**Two Ball Bearings Hinge**

2.5"x2.5", 3"x3", 3.5"x3", 3.5"x3.5"  
4"x3", 4"x3.5", 4"x4", 4.5"x4"

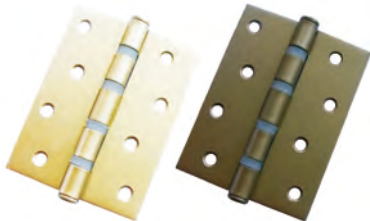
**GDH10-4**



**Four Ball Bearings Hinge**

4x3x3mm, 5x3x3mm, 5x4x2.5mm

**GDH10-5**



**Hinge With Nylon Washer**

2.5"x2.5"x1.6mm, 3"x3"x2.0mm  
3"x2.5"x2.3mm, 3.5"x3.5"x1.8mm  
4"x4"x2.2mm, 4"x3"x2.0mm, 4"x3.5"x2.5mm

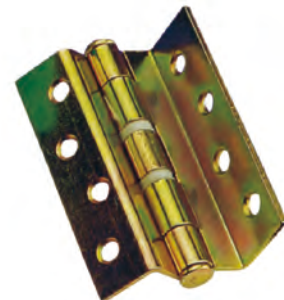
**GDH11**



**Bending Hinge**

1.5", 2", 3", 3.5", 4"

**GDH12**



**Bending Hinge**

1.5", 2", 3", 3.5", 4"

## GDH13



**Butterfly Hinge**  
42mm, 50mm, 54mm

## GDH14



**Butterfly Hinge**  
42mm, 50mm, 54mm

## GDH15



**Door Spring With Rod**  
90x200mm, 90x250mm, 90x300mm

## GDH16



**Double action spring hinge**  
(black japanned, brass plated)  
3", 4", 5", 6"

## GDH17



**Double action spring hinge**  
(black japanned, brass plated)  
3", 4", 5", 6"

## GDH18



**Single Action Spring hinge**  
3", 4", 5", 6"

## GDH19



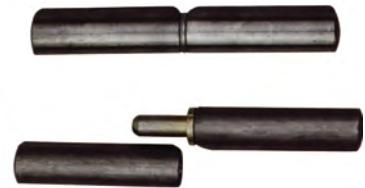
**Circular Welding Hinge**  
3/8" x70mm, 1/2" x80mm, 5/8" x90mm  
3/4" x100mm

## GDH20



**Stainless Steel  
Welding Hinge**  
60x15x12mm, 80x15x12mm  
100x18x14.5mm, 120x21x14.5mm  
140x21x16.5mm, 170x23x18mm  
200x25x19.5mm

## GDH21



**Welding Hinge**  
10x11.8x40mm, 10x11.8x60mm  
13x16x80mm, 13x16x100mm  
16x20x120mm, 16x20x140mm

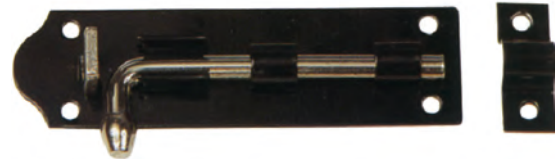
**GD21**



**"F" TYPE IRON TOWER BOLTS**

2", 2.5", 3", 4", 5", 6", 8"

**GD22**



**"O" TYPE IRON TOWER BOLTS**

2", 2.5", 3", 4", 5", 6"

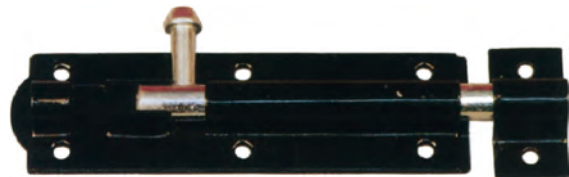
**GD23**



**"A" TYPE IRON TOWER BOLTS**

2", 2.5", 3", 4", 5", 6", 8", 10", 12", 14", 16"

**GD24**



**HEAVY-DUTY IRON TOWER BOLTS**

3", 4", 5", 6", 8"

**GD25**



**NEW TYPE TOWER BOLTS**

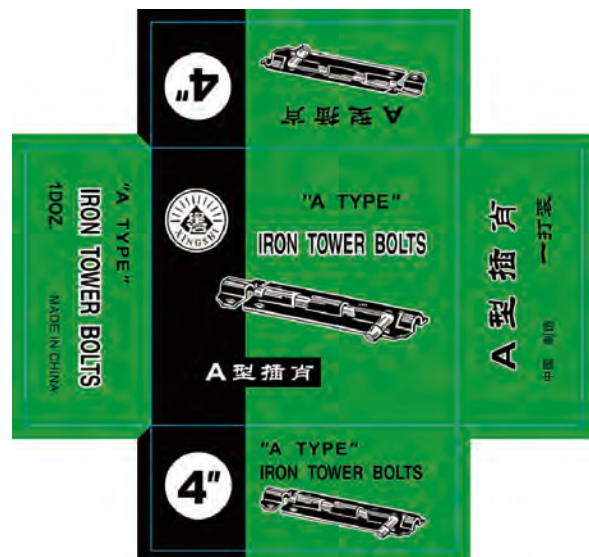
4.5", 5.5"

**GD26**



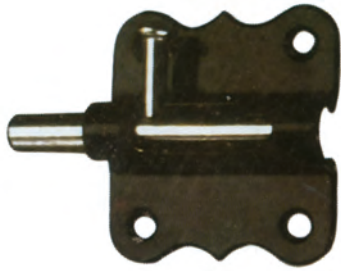
**FLAT TOWER BOLTS**

3", 4", 5", 6"



**COLOUR BOX PACKING**

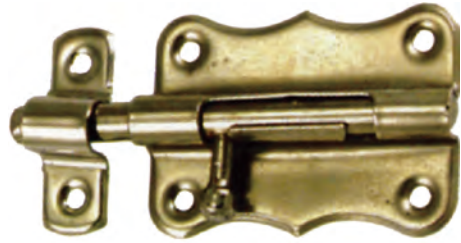
**GD27**



**IRON CELLAR WINDOWS BOLTS**

1-1/4", 1-1/2", 2"

**GD28**



**NEW BUTTERFLY BOLTS**

40MM, 50MM, 60MM, 70MM, 80MM, 100MM

**GD29**



**SPANISH TYPE HEAVY BOLTS**

40MM, 50MM, 60MM, 70MM, 80MM, 100MM

**GD30**



**HEAVY BOLTS**  
Skin Blister Package

50x1.2x11mm, 60x1.2x11mm  
70x1.2x11mm, 80x1.2x11mm

**GD31**



**CHROMEPLATE**  
**SOLID BRASS TOWERBOLTS**  
Double Blister Package

2", 2.5", 3", 4", 5", 6"

**GD32**



**SELF COLOR**

**GD8041**



4", 6"

**GD8042**



4", 6"

**GD8044**



4", 6", 8"

**GD8047**



37x31x23mm 47x33x25mm

**GD8048**



180mm

**GD8049**



42x33x25mm 49x22x28mm

**GD8050**



4-1/2", 5-1/2"

**GD7061**



Hole Pitch: 64/96mm

**GD7062**



Hole Pitch: 64/96mm

**GD7063**



Hole Pitch: 64/96mm

**GD7064**



Hole Pitch: 96mm

**GD7065**



Lock Card  
1-1/2", 2", 2-1/2", 3", 3-1/2", 4", 5", 6"



## **Qingdao Magic Andy Hardware Co.,Ltd**

Add:Room 1601, Building 2 , No.63 Haier road, Qingdao, China  
Tel: +86 0532-80999628                      Mobile: +86 13708996523  
E-mail: sales@cnmagicandy.com   manager@cnmagicandy.com  
Http://www.cnmagicandy.com